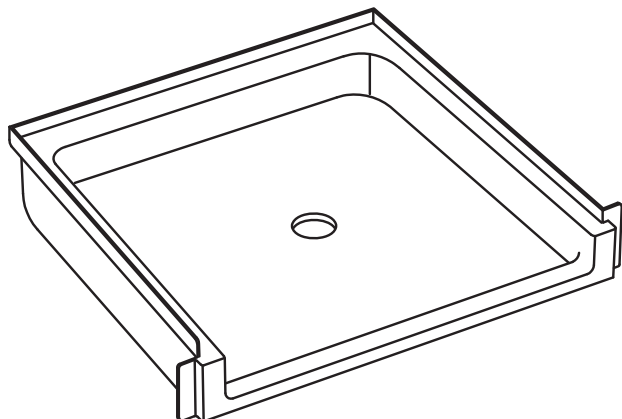


# SSB3838BF RRF

inches

## SHOWER PAN

42W x 37 3/8D x 4 3/4H



## FEATURES

- Recessed receiver flange on both sides
- 1.0" threshold
- Slip resistant surface on floor
- Solid surface finish
- ArmorCore Easy Base bottom
- 30-year warranty\*

## STANDARDS AND RATINGS

- ADA
- ICC/ANSI117.1
- CSA B45.5-11
- HUD-UM73
- IAPMO Z124
- Home Innovation Research Lab

Code compliant when fully equipped and installed according to guidelines.

\*See terms and conditions for details.

## COLOR & TRIM OPTIONS

Stock	Code
White	WT
Bone	BN
Biscuit	BS
Cotton Seed	CT
Ashley	AS
Almond	AL
Beach	BC
Dune	DN
Mink	MK
Violet	VT
Coco	CO
Rabbit	RB
Quail	QU

Additional custom colors available.  
(Contact Customer Service)

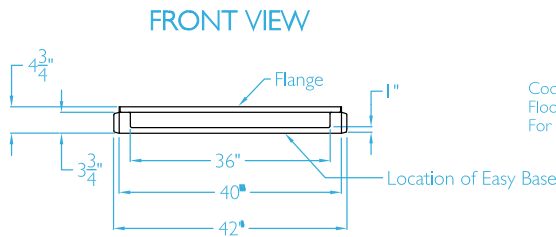
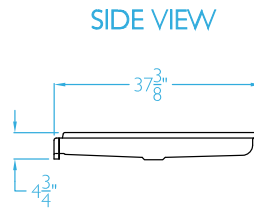
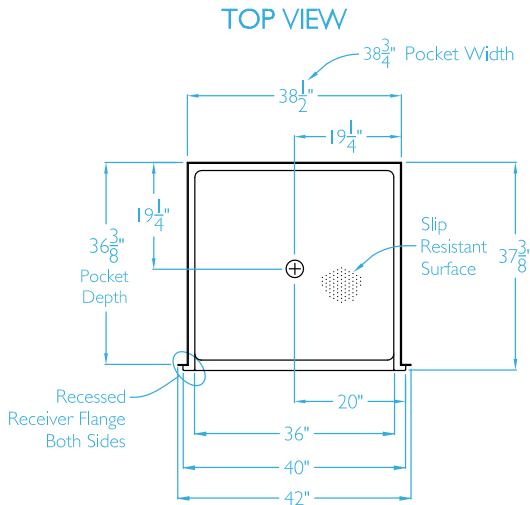
MADE IN THE USA



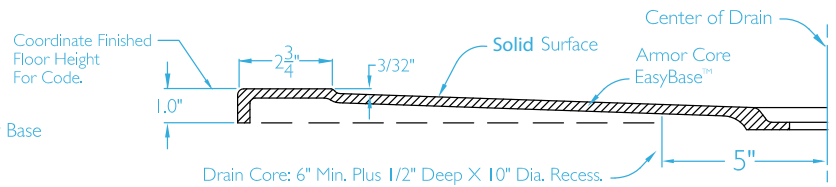
# SSB3838BF RRF

Exterior Dimensions  
42W x 37 3/8D x 4 3/4H  
inches

Installation instructions can be found on the Comfort Designs website.



## CROSS SECTION OF THRESHOLD



**FEATURES** Dimensional Tolerance  $\pm \frac{1}{8}$ ". Dimensions needed for site preparation should be measured from the unit. Comfort Designs assumes no responsibility for preparatory work.

Type and Model #	Material	Drain	Threshold Height	Pkg. Wt. lbs.
Shower Pan #SSB3838BF RRF	Solid Surface	Center	1	45

## DIMENSIONS

Specifications	inches
Width:	42
Depth:	37 3/8
Height:	4 3/4

## FRAMING DIMENSIONS inches

Type	D Depth	W Width	H Height	A	B	C
Alcove	36 3/8	38 3/4	-	Box Out	19 1/4	19 1/4

