

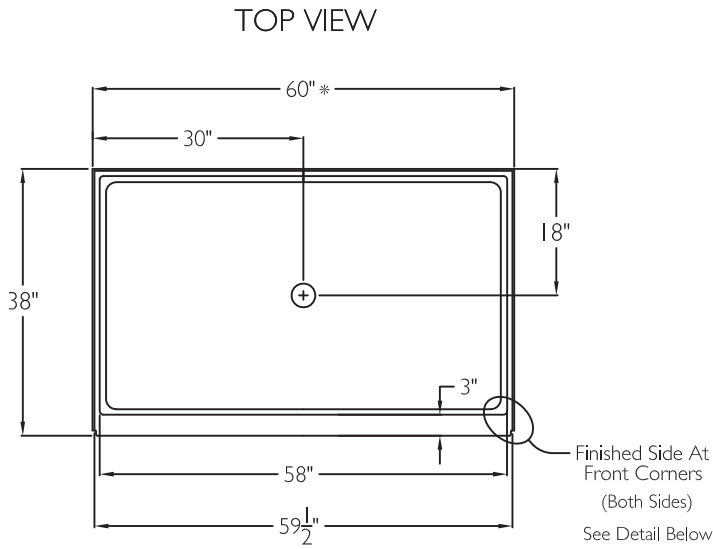
# CD Technical Data Sheet

## BASES COLLECTION

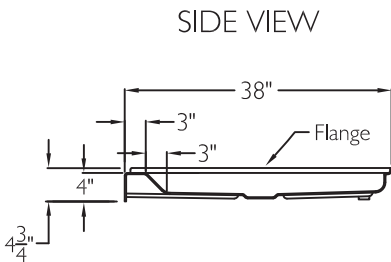
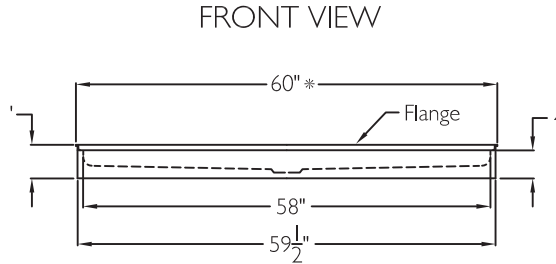
### XSB6038 4.0 ANSI-B

ANSI code compliant

NOTE: For ADA/ANSI compliance, pressure balancing mixing valve, hand-held shower with slide bar, vacuum breaker and 60' hose must be installed per ADA/ANSI guidelines.



\* Width with 1/4" top perimeter flange.



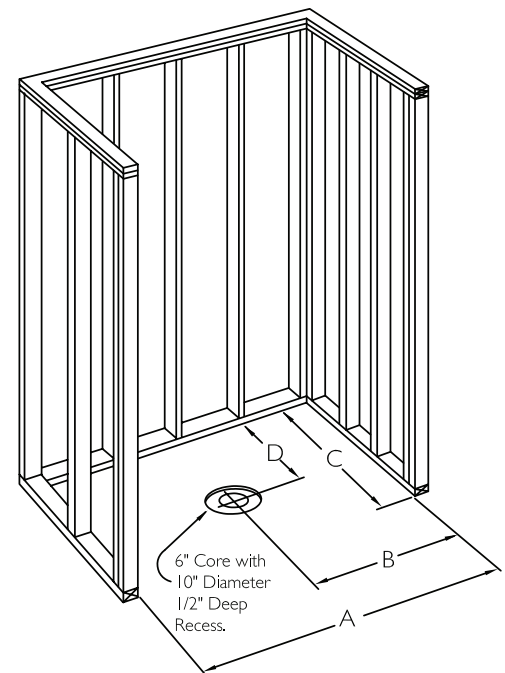
#### TECHNICAL INFORMATION

OD 60" x 38" x 4.75"

ID 58" x 36" center point

LOAD FACTOR 0.20

HANDED BY Center Drain



#### FRAMING DIMENSIONS

A 60.25" B 30.125"

C 38" D 18"

#### ADDITIONAL CODES

ICC/ANSI I 7.1, BOCA, NAHBUPC, Southern Building Code