

CD Technical Data Sheet

BASES COLLECTION

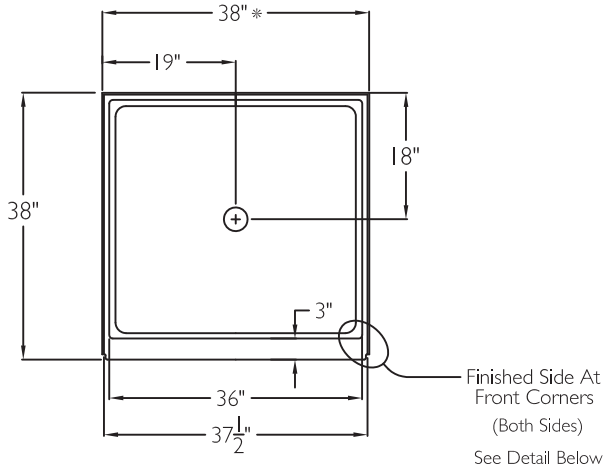
XSB3838 4.0 ANSI-B

ANSI code compliant

NOTE: For ADA/ANSI compliance, pressure balancing mixing valve, hand-held shower with slide bar, vacuum breaker and 60' hose must be installed per ADA/ANSI guidelines.

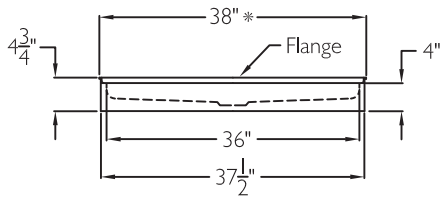
BASES COLLECTION
Enhancing Livable Design

TOP VIEW

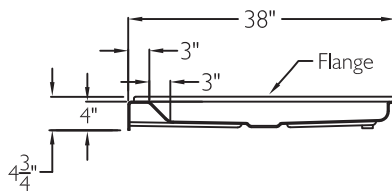


* Width with 1/4" top perimeter flange.

FRONT VIEW



SIDE VIEW



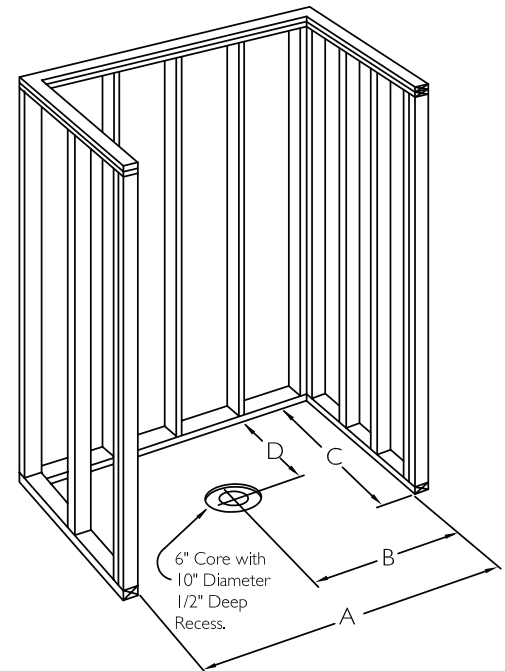
TECHNICAL INFORMATION

OD 38" x 38" x 4.75"

ID 36" x 36" center point

LOAD FACTOR 0.15

HANDED BY Center Drain



FRAMING DIMENSIONS

A 38.25" B 19.125"

C 38" D 18"

ADDITIONAL CODES

ICC/ANSI I 7.1, BOCA, NAHBUPC,
Southern Building Code

cd
comfortdesigns

comfortdesignsbathware.com | 800.443.7269