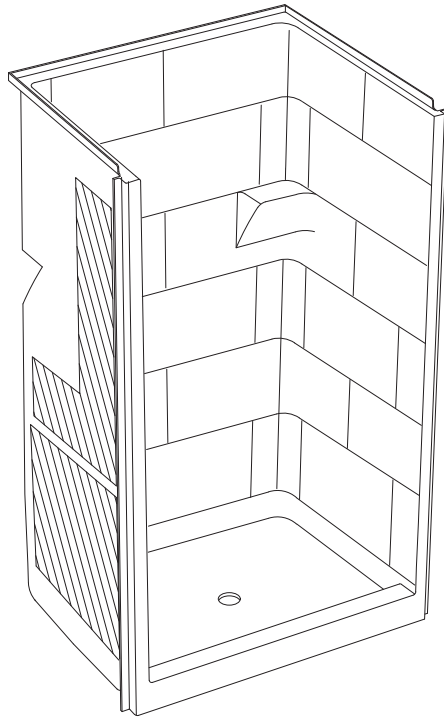


XST 3838 SH 4.0 RRF

inches

SHOWER

41 1/2W x 37 1/2D x 79H



FEATURES

- Recessed receiver flanges
- 4" threshold
- Slip resistant surface on floor
- AcrylX™ applied acrylic surface
- ArmorCore bottom
- 30-year warranty*

STANDARDS AND RATINGS

- FHA
- HUD-UM73
- IAPMO Z124
- ANSI-B

Code compliant when fully equipped and installed according to guidelines.

*See terms and conditions for details.

COLOR & TRIM OPTIONS

Stock	Code
White	WHT
Bone	BON
Biscuit	BIS

Additional custom colors available.
(Contact Customer Service)



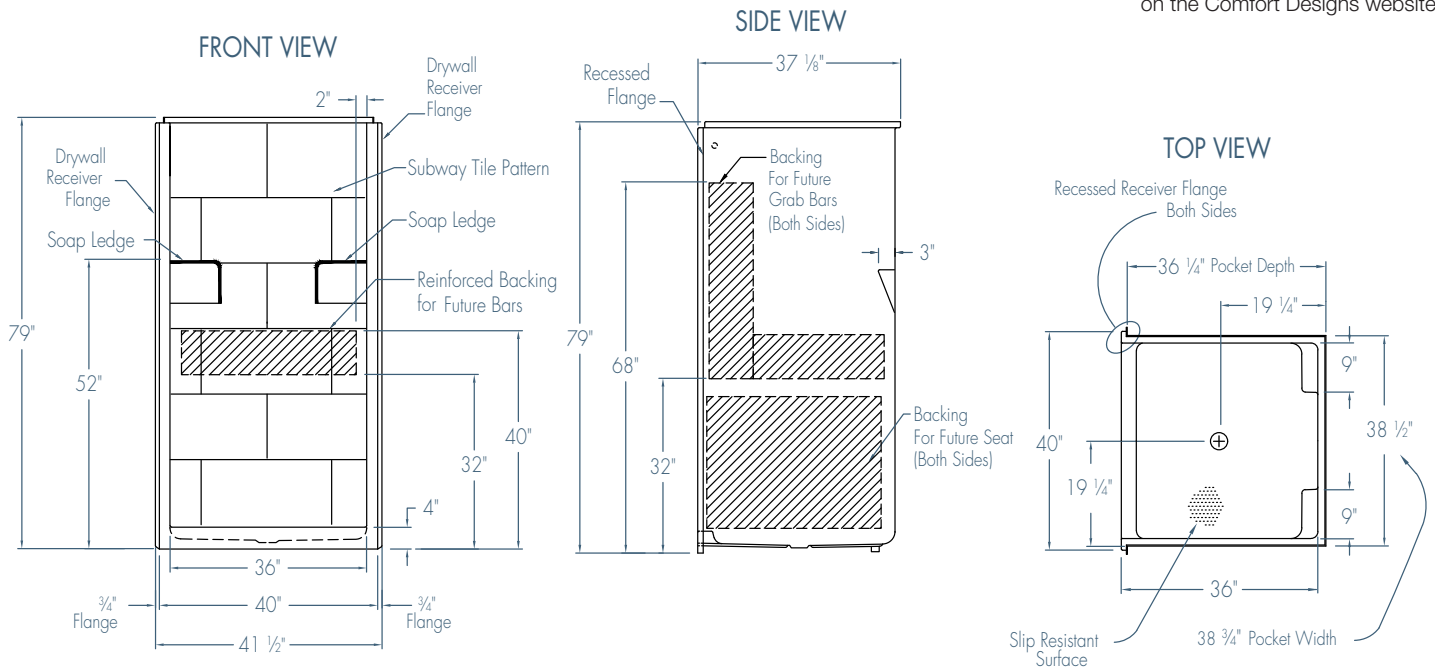
MADE IN THE USA

XST 3838 SH 4.0 RRF

Exterior Dimensions

41 1/2" W x 37 1/2" D x 79" H
inches

Installation instructions can be found on the Comfort Designs website.



FEATURES Dimensional Tolerance ± 1/16". Dimensions needed for site preparation should be measured from the unit. Comfort Designs assumes no responsibility for preparatory work.

Type and Model #	Material	Drain	Threshold Height	Pkg. Wt. lbs
Shower #XST 3838 SH 4.0 RRF	AcryIX™	Center	1	150

DIMENSIONS

Specifications	inches
Width: ext. / int.	41 1/2 / 36
Depth: ext. / int.	37 1/2 / 36
Height: ext. / int.	79 / 76 7/8

FRAMING DIMENSIONS inches

Type	D Depth	W Width	H Height	A	B	C
Alcove	36 3/8	38 3/4	-	Box Out	19 3/8	19 1/4

