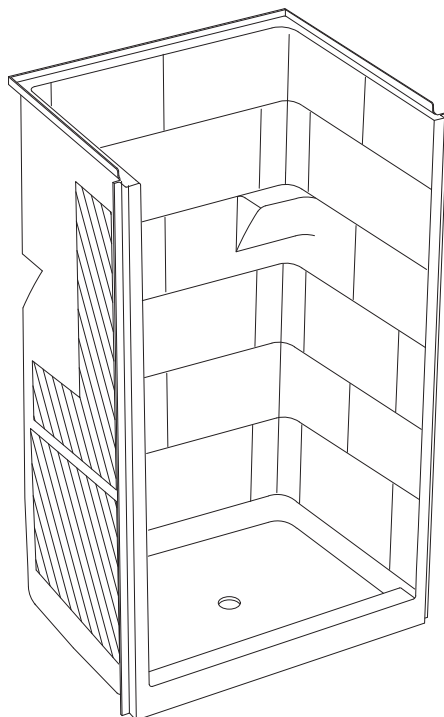


SST 3838 SH 4.0 RRF

inches

SHOWER

41 1/2W x 37 1/2D x 79H



FEATURES

- Recessed receiver flanges
- 4" threshold
- Slip resistant surface on floor
- Solid surface finish
- ArmorCore bottom
- 30-year warranty*

STANDARDS AND RATINGS

- FHA
- HUD-UM73
- IAPMO Z124
- ANSI-B

Code compliant when fully equipped and installed according to guidelines.

*See terms and conditions for details.

COLOR & TRIM OPTIONS

Stock	Code
White	WT
Bone	BN
Biscuit	BS
Cotton Seed	CT
Ashley	AS
Almond	AL
Beach	BC
Dune	DN
Mink	MK
Violet	VT
Coco	CO
Rabbit	RB
Quail	QU

Additional custom colors available.
(Contact Customer Service)



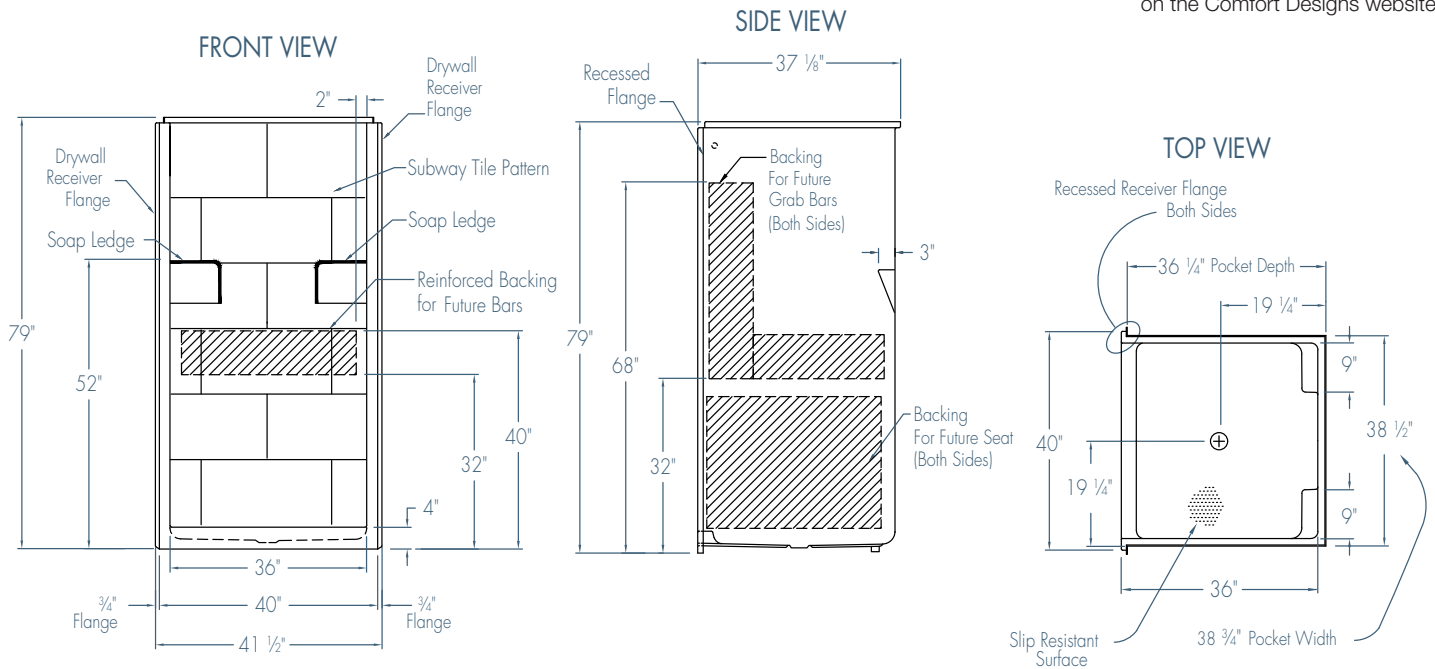
MADE IN THE USA

SST 3838 SH 4.0 RRF

Exterior Dimensions

41 1/2" W x 37 1/2" D x 79" H
inches

Installation instructions can be found on the Comfort Designs website.



FEATURES Dimensional Tolerance $\pm \frac{1}{16}$ ". Dimensions needed for site preparation should be measured from the unit. Comfort Designs assumes no responsibility for preparatory work.

Type and Model #	Material	Drain	Threshold Height	Pkg. Wt. lbs
Shower #SST 3838 SH 4.0 RRF	Solid Surface	Center	1	150

DIMENSIONS

Specifications	inches
Width: ext. / int.	41 1/2 / 36
Depth: ext. / int.	37 1/2 / 36
Height: ext. / int.	79 / 76 7/8

FRAMING DIMENSIONS inches

Type	D Depth	W Width	H Height	A	B	C
Alcove	36 3/8	38 3/4	-	Box Out	19 3/8	19 1/4

