

CD Technical Data Sheet

COMMERCIAL CODE COMPLIANT

XSS3838BF .75

ADA/ANSI code compliant

NOTE: For ADA/ANSI compliance, pressure balancing mixing valve, hand-held shower with slide bar, vacuum breaker and 60' hose must be installed per ADA/ANSI guidelines.

CODE COMPLIANT
Enhancing Livable Design

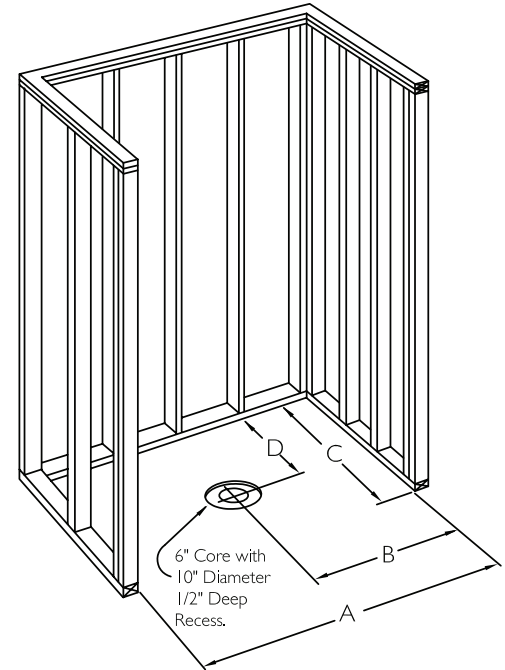
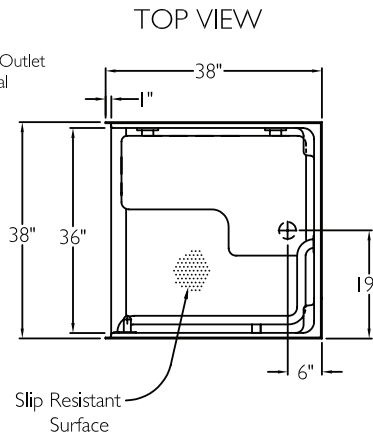
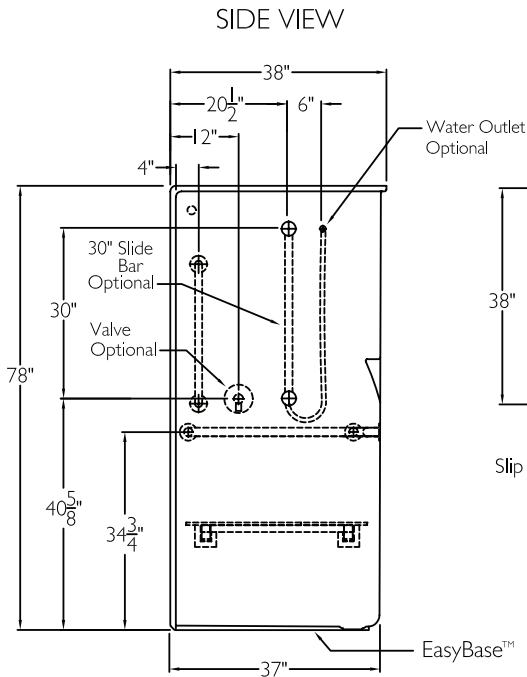
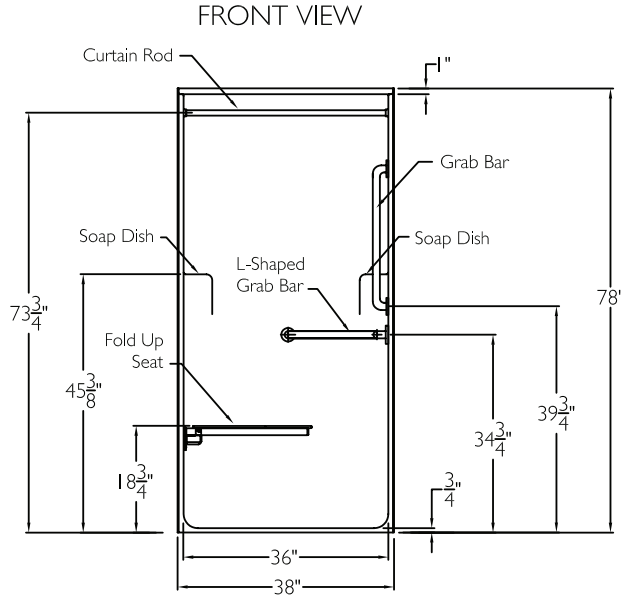
TECHNICAL INFORMATION

OD 38" x 38" x 78"

ID 36" x 36" center point

LOAD FACTOR 1.06

HANDED BY Valve Wall



FRAMING DIMENSIONS

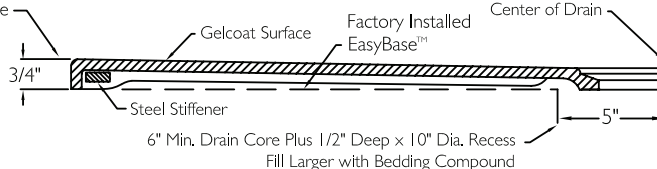
A 38.25" B 19.125"
C 38" D 6"

ADDITIONAL CODES

ICC/ANSI I 7.1, ANSI I 24.2, ADAAG, BOCA, NAHBUPC, Southern Building Code

CROSS SECTION OF THRESHOLD

Coordinate Finished Floor Height For Code. Finished Floor May Be No More Than 1/4" Below The Top Of Compartment Threshold.



cd
comfortdesigns

comfortdesignsbathware.com | 800.443.7269