

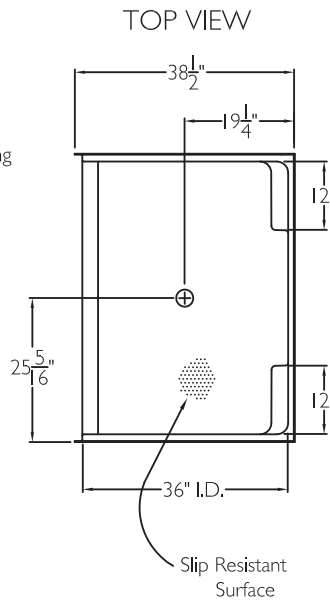
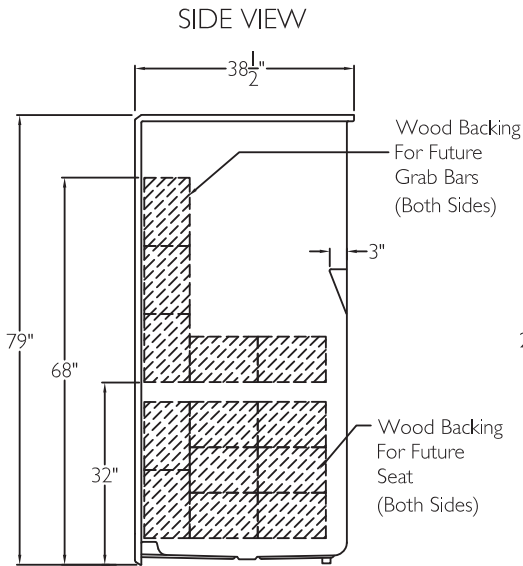
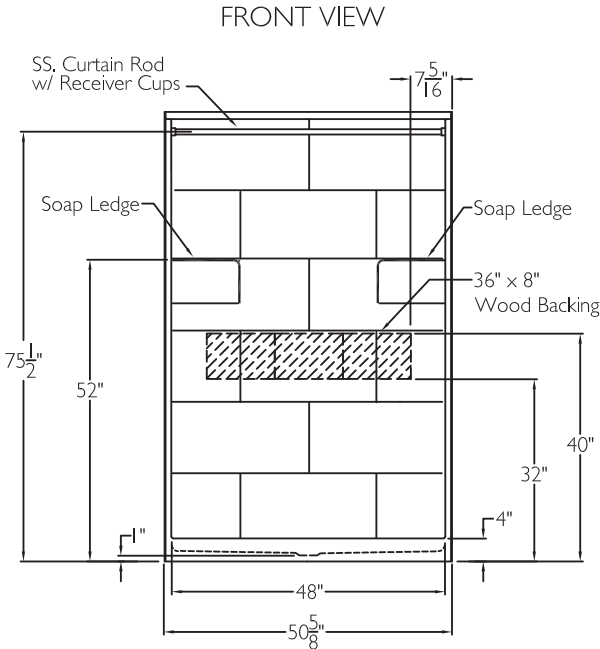
CD Technical Data Sheet

COMMERCIAL CODE COMPLIANT

SST5038SH 4.0 ANSI-B

ADA/ANSI code compliant

NOTE: For ADA/ANSI compliance, pressure balancing mixing valve, hand-held shower with slide bar, vacuum breaker and 60' hose must be installed per ADA/ANSI guidelines.



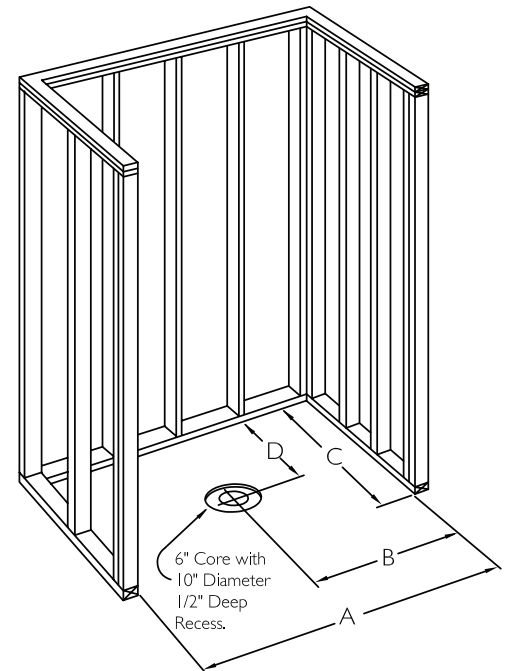
TECHNICAL INFORMATION

OD 50.375" x 38.5" x 79"

ID 48" x 36" center point

LOAD FACTOR 1.06

HANDED BY Center Drain



FRAMING DIMENSIONS

A 50.875" B 25.5"
C 38.5" D 19.25"

ADDITIONAL CODES

ANSI 124.1-2, HUD, FHA, BOCA, NAHB, UPC, Southern Building Code, ANSI-B Type 2

CODE COMPLIANT
Enhancing Livable Design