

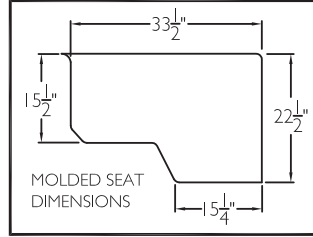
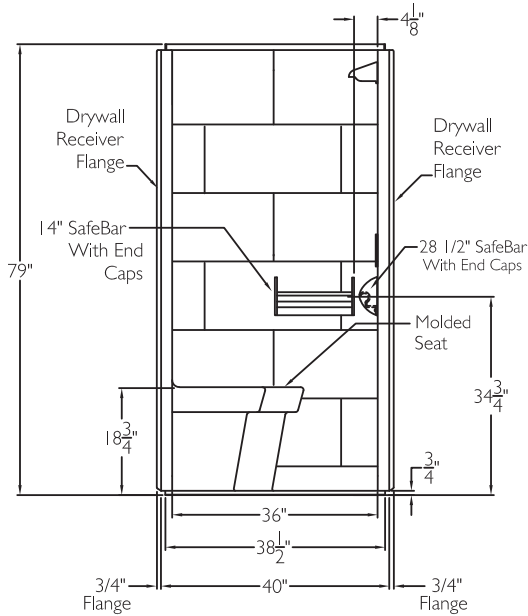
CD Product Sheet

ONE SOURCE

XST 3838 TR .75 MS RF PHYC

ONE SOURCE
Enhancing Livable Design

FRONT VIEW



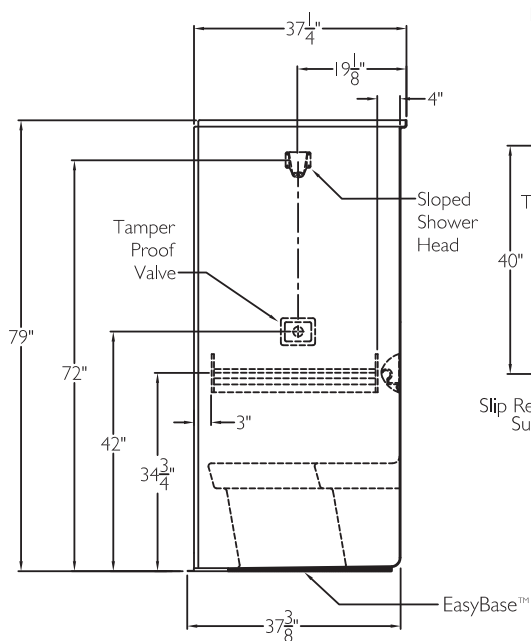
TECHNICAL INFORMATION

OD 38.5" x 37.25" x 79"

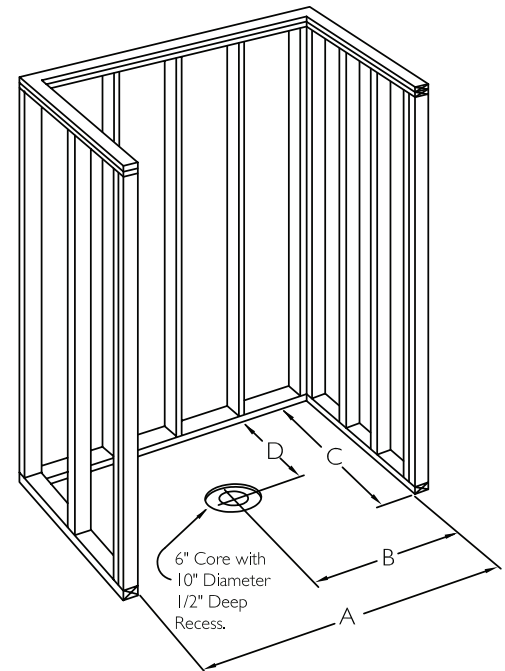
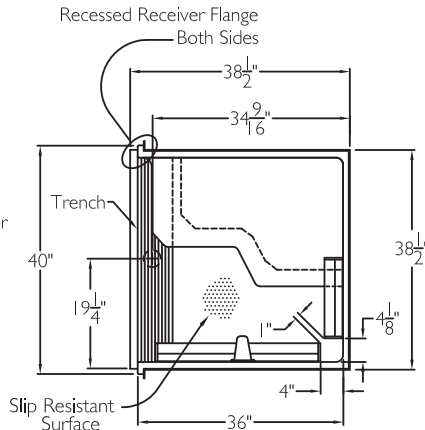
LOAD FACTOR 1.1

HANDED BY Seat

SIDE VIEW



TOP VIEW



FRAMING DIMENSIONS

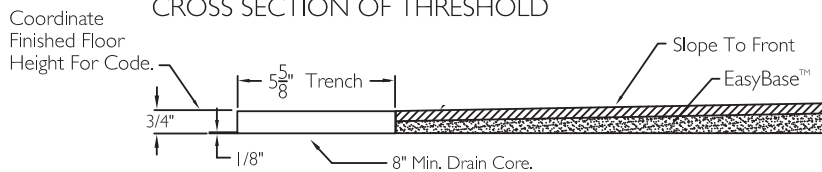
A 38.75" B 19.375"

C 38.5" D 34.5"

ADDITIONAL CODES

ANSI Z124.1-2, HUD, BOCA, NAHB, UPC, Southern Building Code

CROSS SECTION OF THRESHOLD



cd
comfortdesigns

comfortdesignsbathware.com | 800.443.7269