

# CD Product Sheet

**ONE SOURCE**

**SST 3838 TR .75 MS RF ADA PHYC**

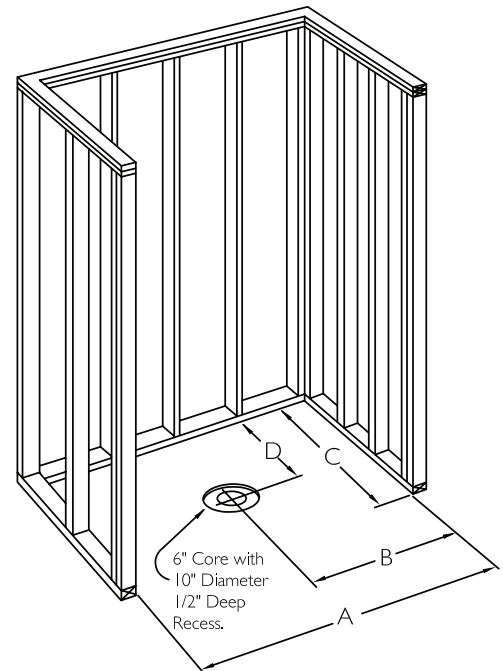
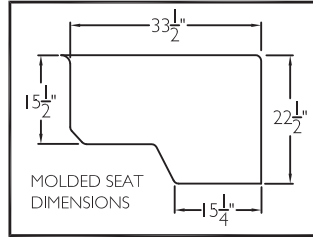
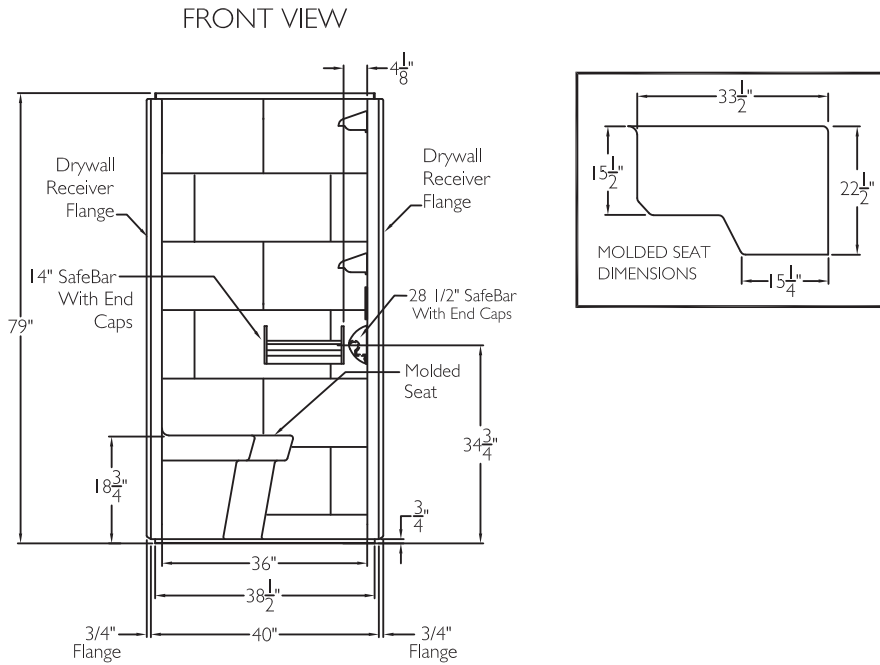
**ONE SOURCE**  
Enhancing Livable Design

## TECHNICAL INFORMATION

OD 38.5" x 37.25" x 79"

LOAD FACTOR 1.1

HANDED BY Seat



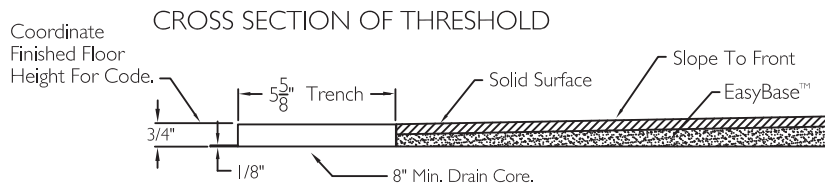
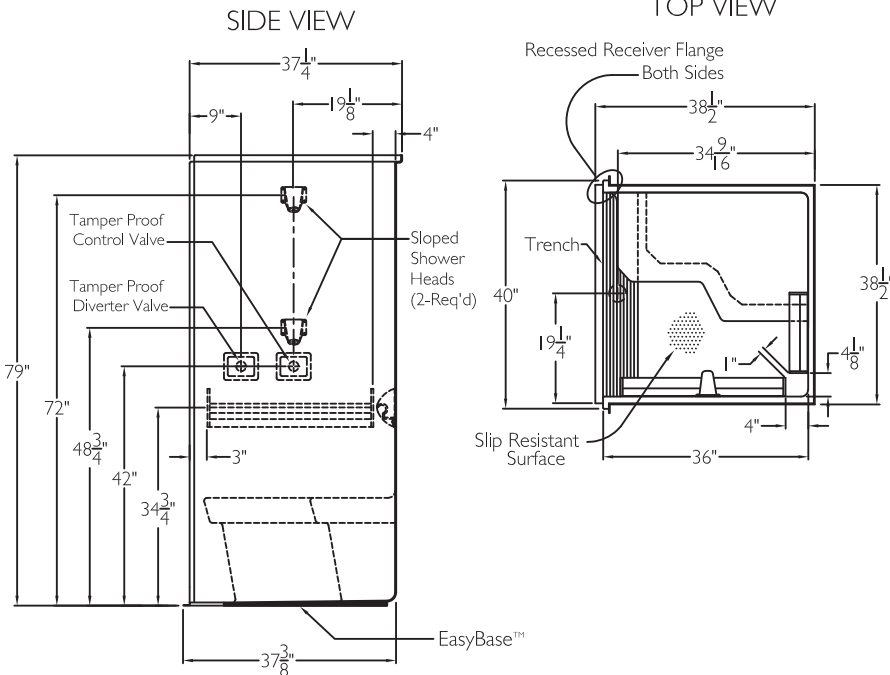
## FRAMING DIMENSIONS

A 38.75" B 19.375"

C 38.5" D 34.5"

## ADDITIONAL CODES

ANSI Z124.1-2, ANSI A117.1, ADA, HUD, BOCA, NAHB, UPC, Southern Building Code



**cd**  
comfortdesigns

comfortdesignsbathware.com | 800.443.7269