

CD Technical Data Sheet

ACCESSIBLE

SSS3637BF 3P

ACCESSIBLE
Enhancing Livable Design

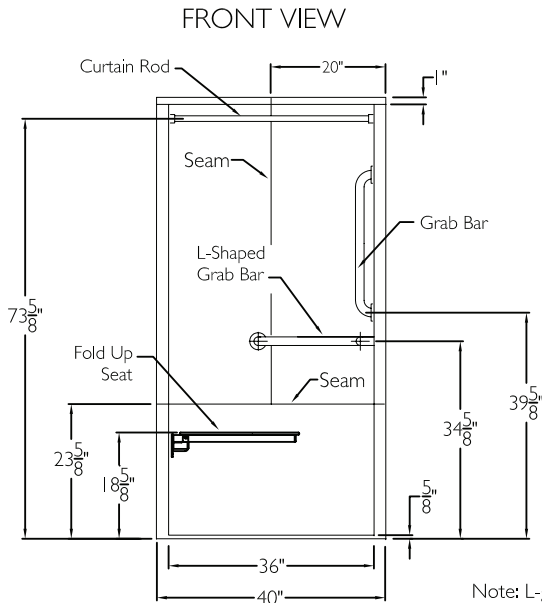
TECHNICAL INFORMATION

OD 40.25" x 38.5" x 77.625"

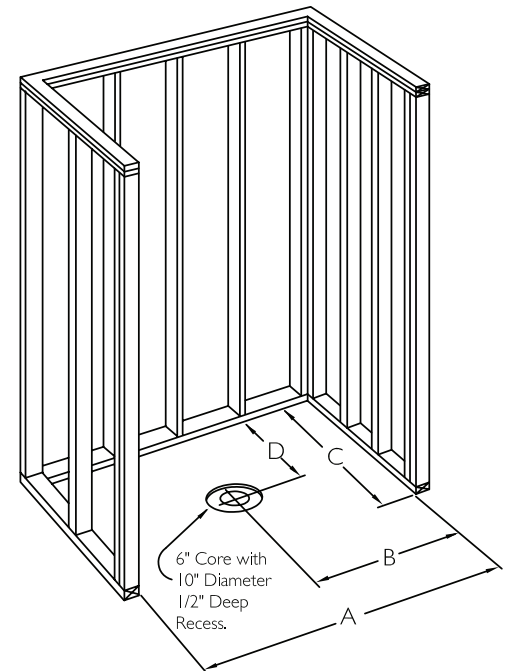
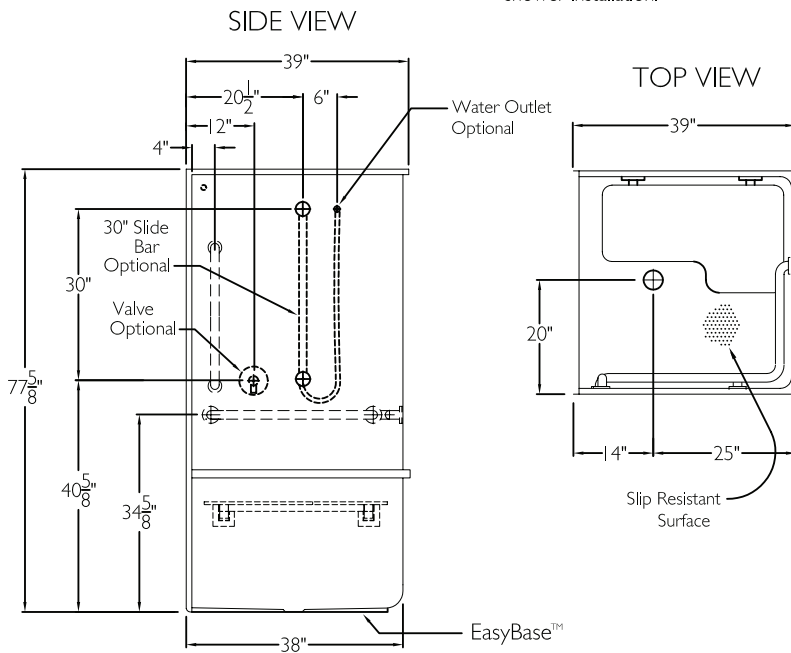
ID 36" x 36" center point

LOAD FACTOR 1.06

HANDED BY Valve Wall



Note: L-grab bar must be loosened for shower installation.



FRAMING DIMENSIONS

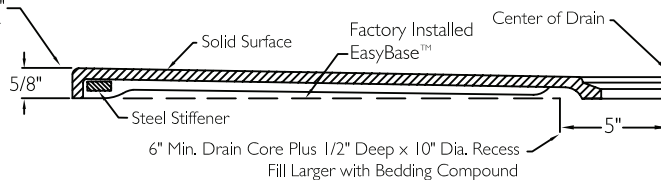
A 40.5" B 40.375"
C 38.5" D 25.5"

ADDITIONAL CODES

ICC/ANSI I 7.1, ANSI 24.2, BOCA, NAHBUPC, Southern Building Code

CROSS SECTION OF THRESHOLD

Coordinate Finished Floor Height For Code. Finished Floor May Be No More Than 1/4" Below The Top Of Compartment Threshold.



cd
comfortdesigns