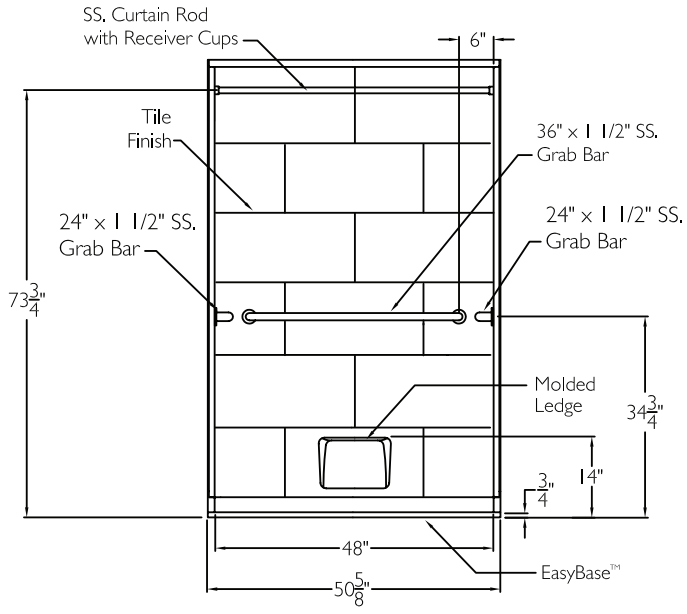


TECHNICAL DATA SHEET

TRENCH DRAIN SHOWER SYSTEM

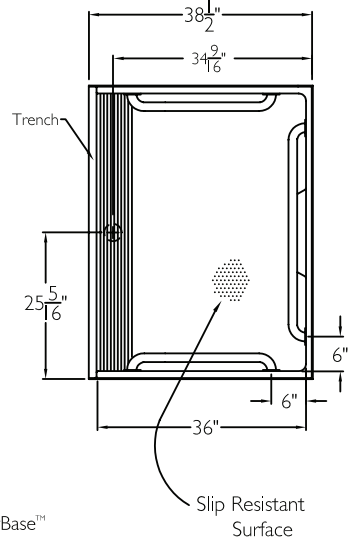
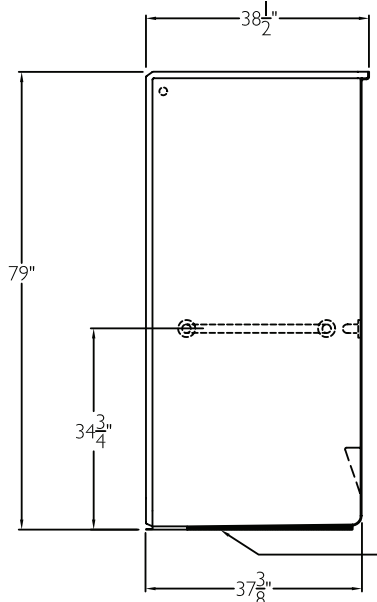
SST5038TR .75 U-BAR

CODE COMPLIANT
Enhancing Livable Design

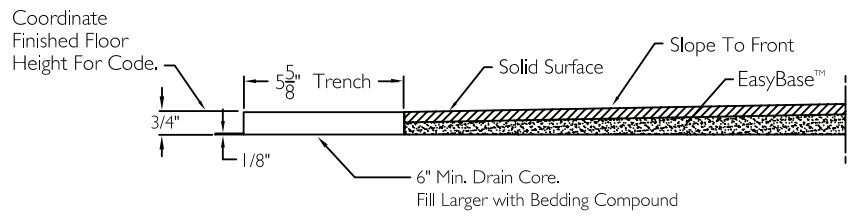


SIDE VIEW

TOP VIEW

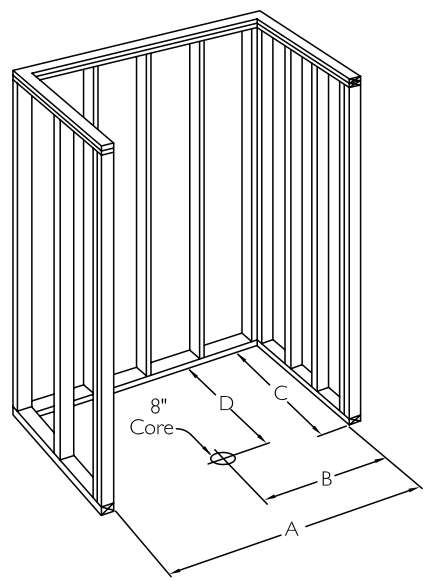


CROSS SECTION OF THRESHOLD



TECHNICAL INFORMATION

OD 50.625" x 38.5" x 78"
ID 48" x 36" center point
LOAD FACTOR 1.22
HANDED BY Valve Wall



FRAMING DIMENSIONS

A 50.875" B 25.5"
C 38.25" D 46.25"

ADDITIONAL CODES

ANSI 24.2, HUD, BOCA, NAHB, UPC, CSA, Southern Building Code

