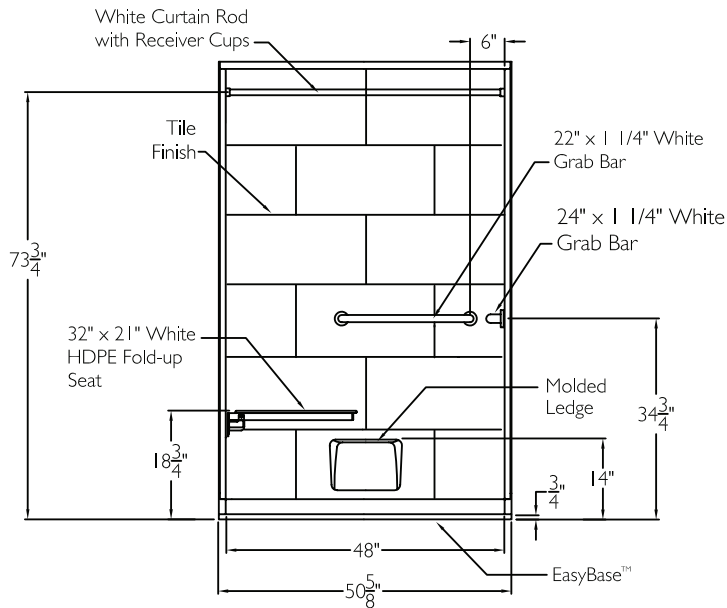


TECHNICAL DATA SHEET

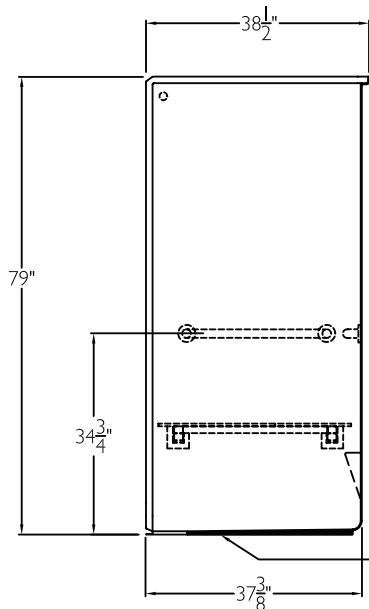
TRENCH DRAIN SHOWER SYSTEM

XST5038TR .75 L-BAR

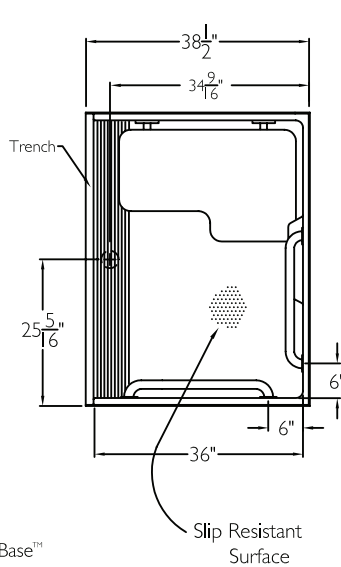
CODE COMPLIANT
Enhancing Livable Design



SIDE VIEW

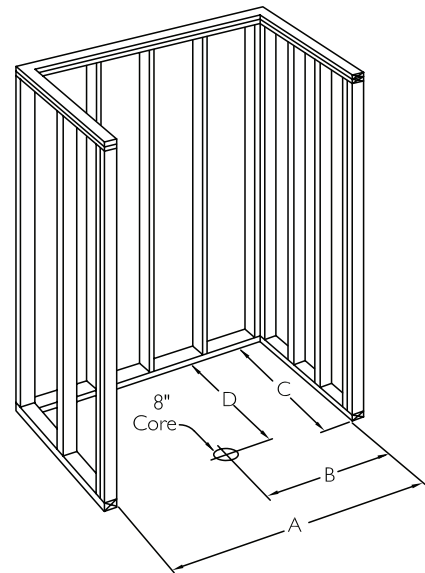


TOP VIEW



TECHNICAL INFORMATION

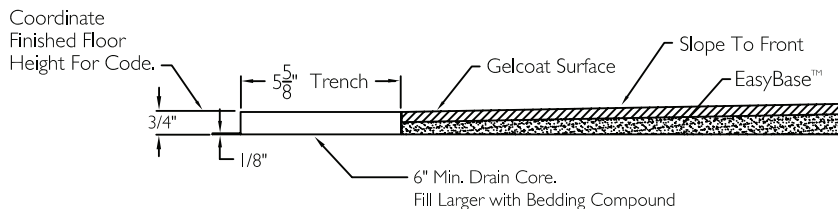
OD 50.625" x 38.5" x 78"
ID 48" x 36" center point
LOAD FACTOR 1.22
HANDED BY Valve Wall



FRAMING DIMENSIONS

A 50.875" B 25.5"
C 38.25" D 46.25"

CROSS SECTION OF THRESHOLD



ADDITIONAL CODES

ANSI 24.2, HUD, BOCA, NAHB, UPC,
CSA, Southern Building Code

cd
comfortdesigns

comfortdesignsbathware.com | 800.443.7269