

# TECHNICAL DATA SHEET

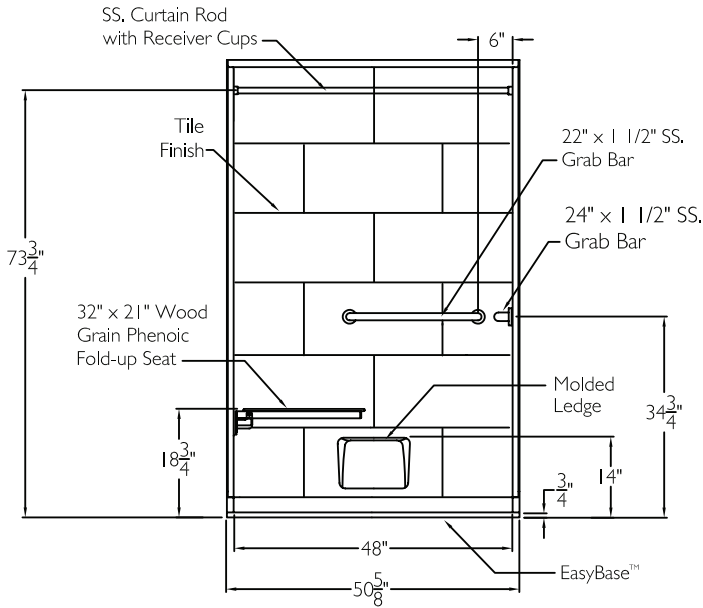
## TRENCH DRAIN SHOWER SYSTEM

### SST5038TR .75 L-BAR

**CODE COMPLIANT**  
Enhancing Livable Design

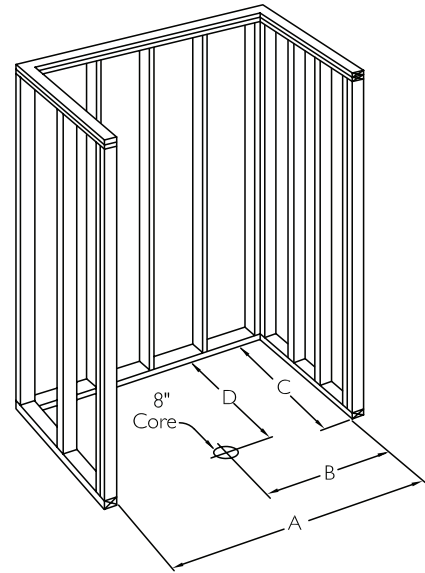
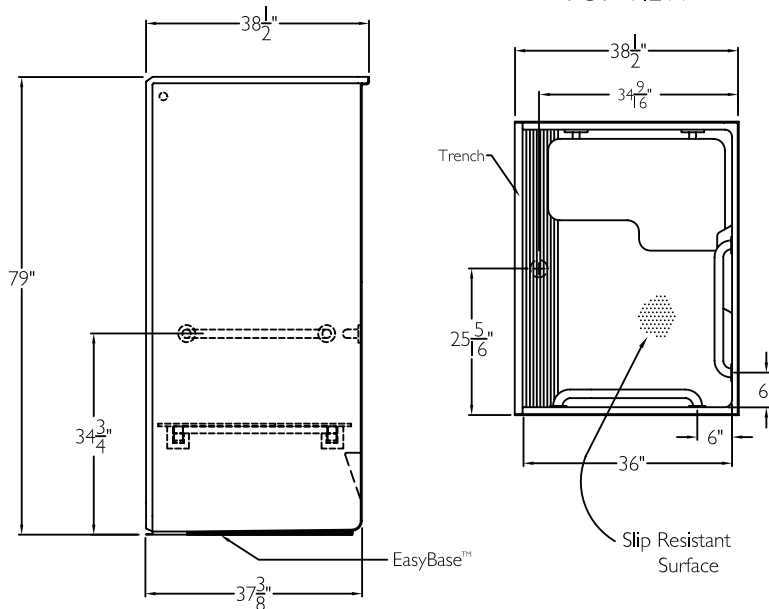
#### TECHNICAL INFORMATION

OD 50.625" x 38.5" x 78"  
ID 48" x 36" center point  
LOAD FACTOR 1.22  
HANDED BY Valve Wall



SIDE VIEW

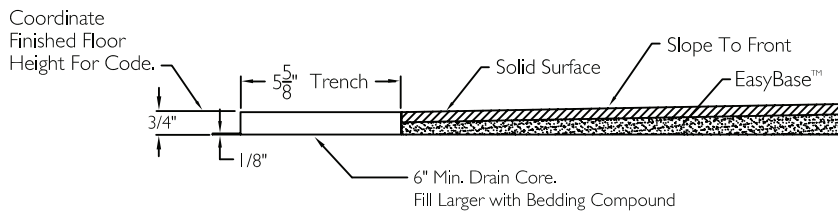
TOP VIEW



#### FRAMING DIMENSIONS

A 50.875" B 25.5"  
C 38.25" D 46.25"

#### CROSS SECTION OF THRESHOLD



#### ADDITIONAL CODES

ANSI I 24.2, HUD, BOCA, NAHB, UPC, CSA, Southern Building Code