

# CD Product Sheet

## ACCESSIBLE XST6032TS

**MILLENNIA**  
Enhancing Livable Design

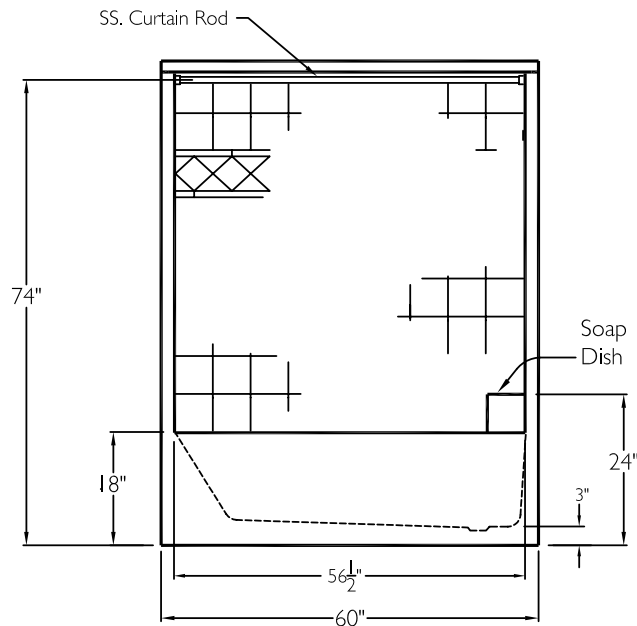
### TECHNICAL INFORMATION

OD 60" x 33" x 74"

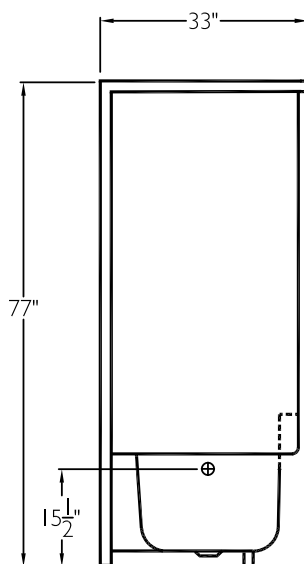
LOAD FACTOR 1.13

HANDED BY Drain

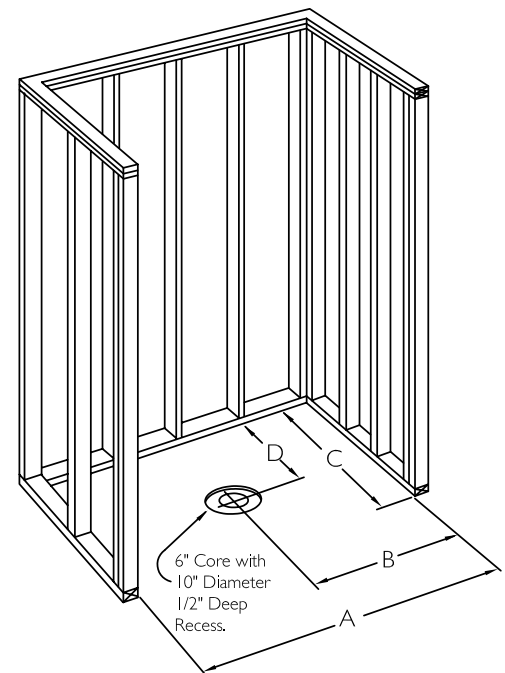
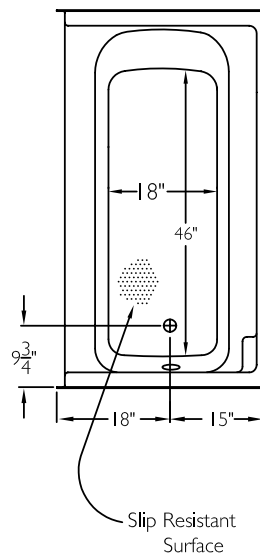
FRONT VIEW



SIDE VIEW



TOP VIEW



### FRAMING DIMENSIONS

A 60.25" B 9.875"

C 33" D 15"

### ADDITIONAL CODES

ICC/ANSI 17.1, ANSI 24.2, ADAAG,  
BOCA, NAHBUPC, Southern Building  
Code

**cd**  
comfortdesigns

comfortdesignsbathware.com | 800.443.7269