

CD Product Sheet

ACCESSIBLE XST3360TS

MILLENNIA
Enhancing Livable Design

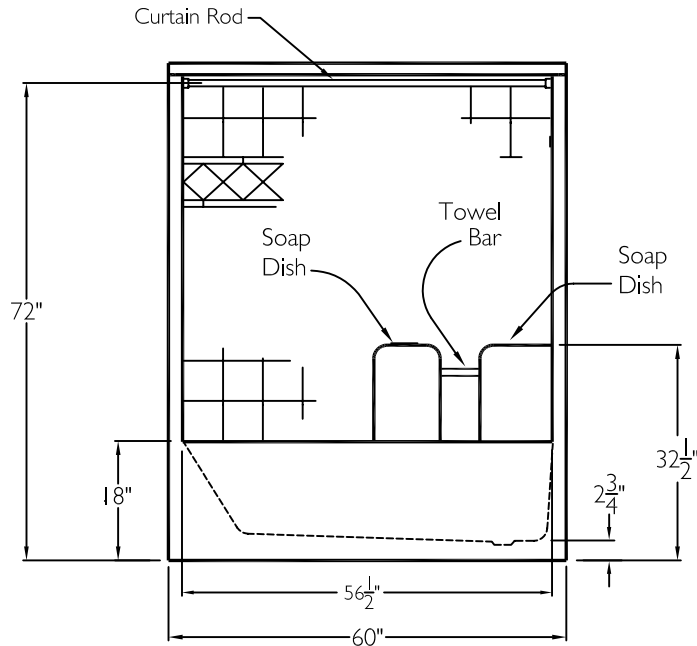
TECHNICAL INFORMATION

OD 60" x 32.5" x 74.5"

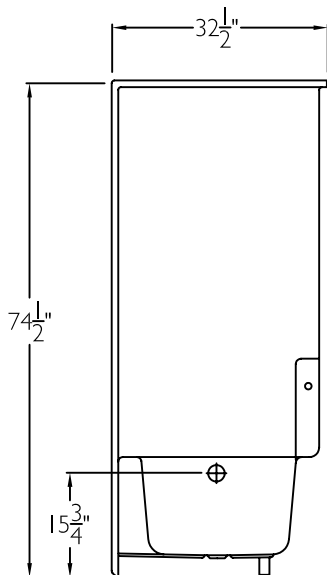
LOAD FACTOR 1.25

HANDED BY Drain

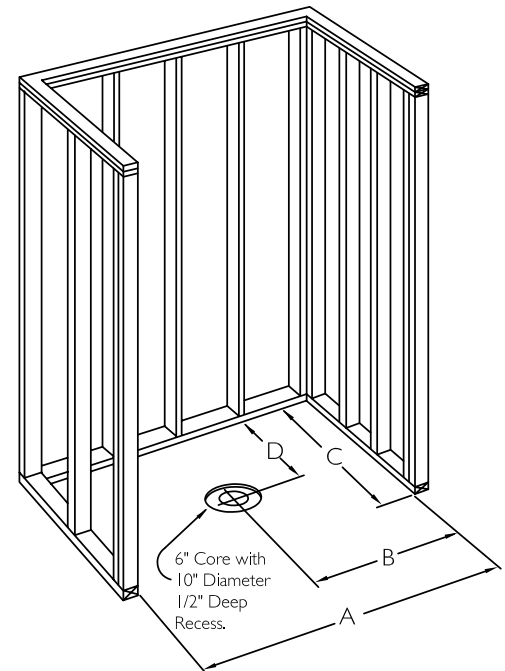
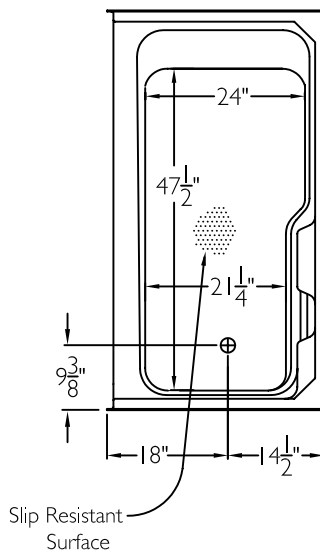
FRONT VIEW



SIDE VIEW



TOP VIEW



FRAMING DIMENSIONS

A 60.25" B 9.5"
C 32.5" D 14.5"

ADDITIONAL CODES

ICC/ANSI 17.1, ANSI 24.2, ADAAG,
BOCA, NAHBUPC, Southern Building
Code

cd
comfortdesigns

comfortdesignsbathware.com | 800.443.7269