

CD Product Sheet

ACCESSIBLE

SST5038BF 0.5 RF

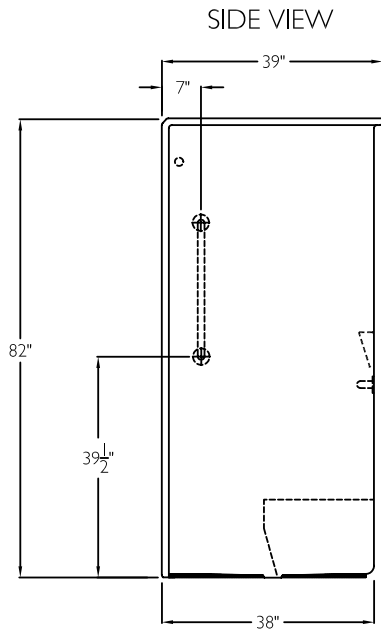
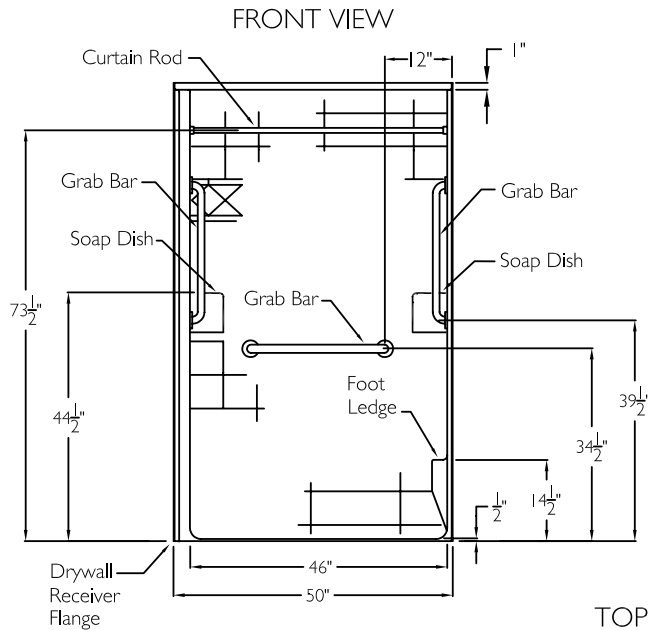
MILLENNIA
Enhancing Livable Design

TECHNICAL INFORMATION

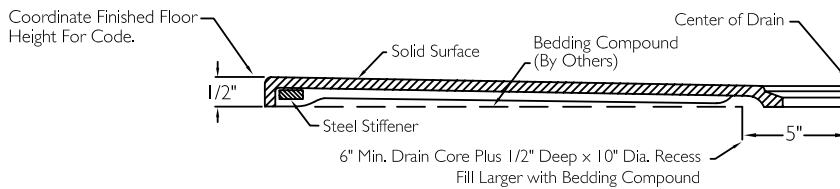
OD 50" x 39" x 82"

LOAD FACTOR I

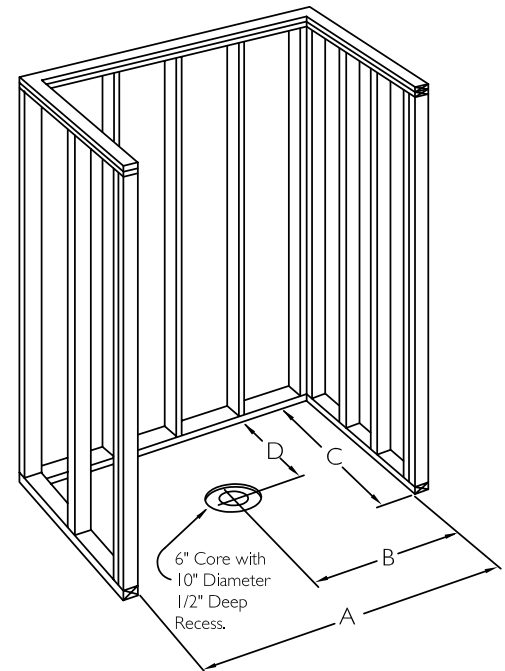
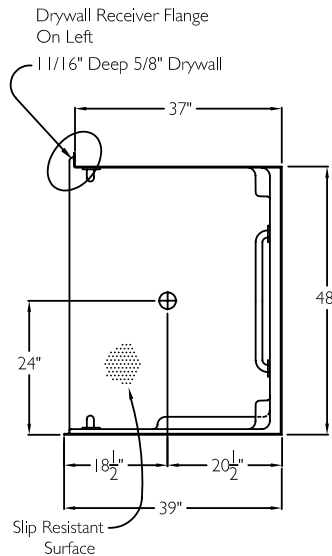
HANDED BY Center Drain



CROSS SECTION OF THRESHOLD



TOP VIEW



FRAMING DIMENSIONS

A 50.25" B 24.125"
C 39" D 20.5"

ADDITIONAL CODES

ICC/ANSI I 7.1, ANSI 24.2, ADAAG, BOCA, NAHBUPC, Southern Building Code

cd
comfortdesigns

comfortdesignsbathware.com | 800.443.7269