

CD Technical Data Sheet

COMMERCIAL CODE COMPLIANT

XST3838BF ANSI-B RRF

ANSI code compliant

NOTE: For ADA/ANSI compliance, pressure balancing mixing valve, hand-held shower with slide bar, vacuum breaker and 60' hose must be installed per ADA/ANSI guidelines.

CODE COMPLIANT
Enhancing Livable Design

TECHNICAL INFORMATION

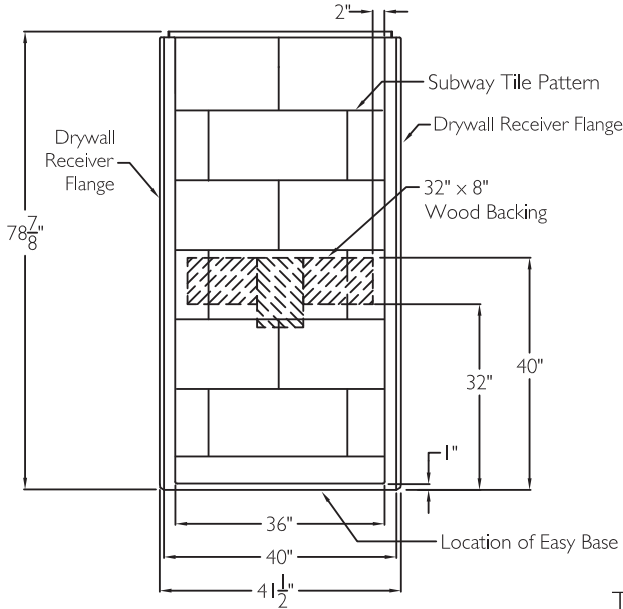
OD 41.5" x 37.5" x 78.875"

ID 36" x 36" center point

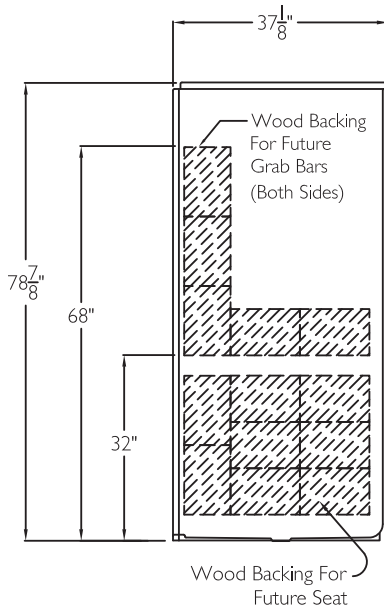
LOAD FACTOR 1.06

HANDED BY Center Drain

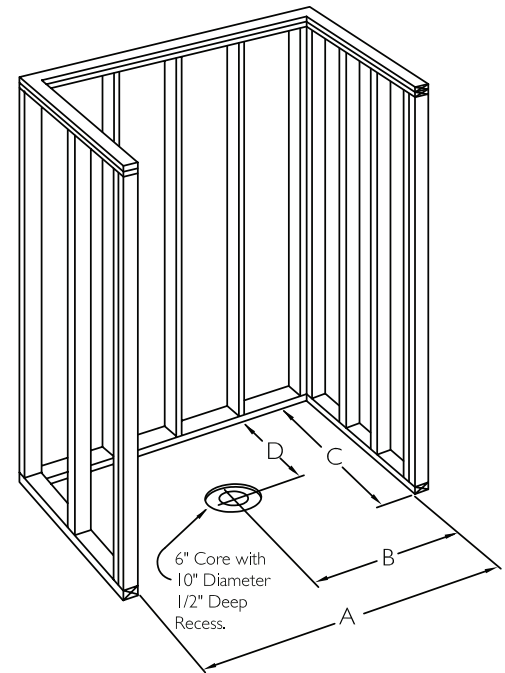
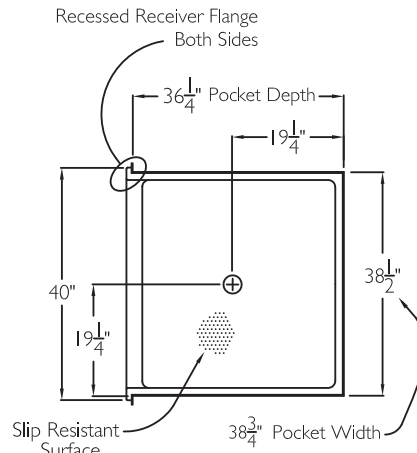
FRONT VIEW



SIDE VIEW



TOP VIEW



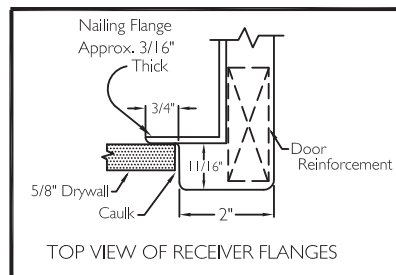
FRAMING DIMENSIONS

A 38.75" B 19.375"

C 36.375" D 19.25"

ADDITIONAL CODES

ANSI I24.1-2, HUD, FHA, BOCA, NAHB, UPC, Southern Building Code, ANSI-B Type 2



CROSS SECTION OF THRESHOLD

Coordinate Finished Floor Height For Code. Finished Floor May Be No More Than 1/4" Below The Top Of Compartment Threshold.

