

# CD Technical Data Sheet

## COMMERCIAL CODE COMPLIANT

### SST3838BF ANSI-B RRF

ANSI code compliant

NOTE: For ADA/ANSI compliance, pressure balancing mixing valve, hand-held shower with slide bar, vacuum breaker and 60' hose must be installed per ADA/ANSI guidelines.

**CODE COMPLIANT**  
Enhancing Livable Design

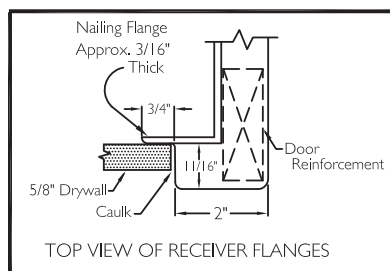
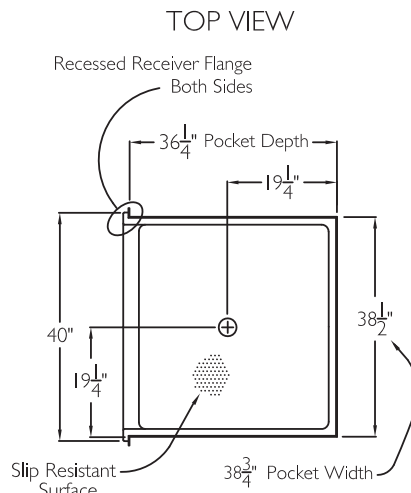
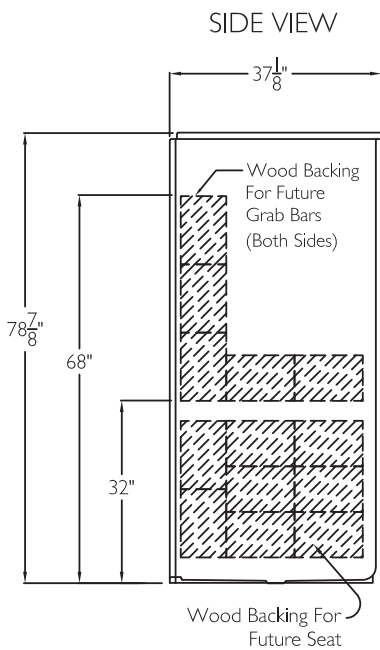
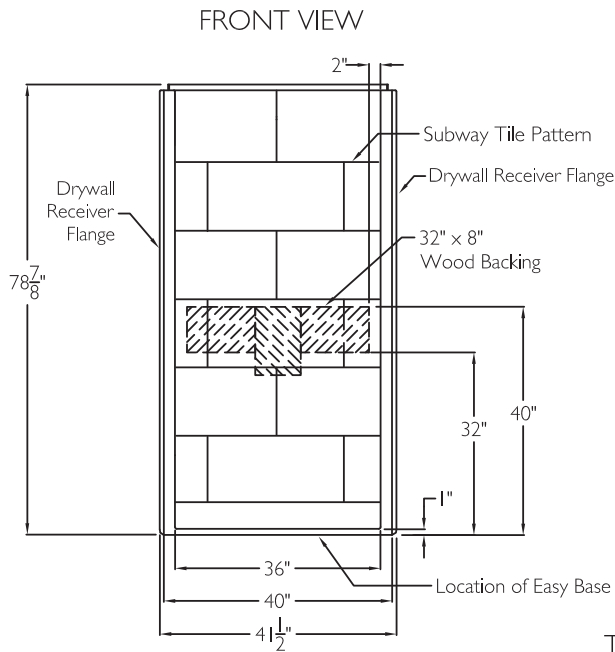
#### TECHNICAL INFORMATION

OD 41.5" x 37.25" x 78.875"

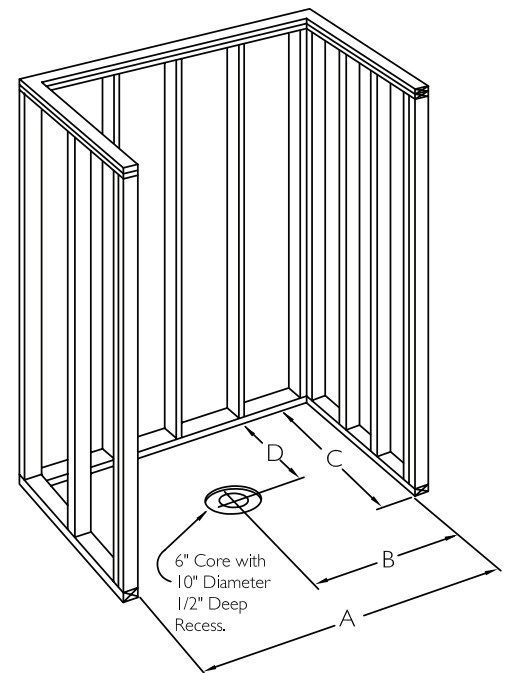
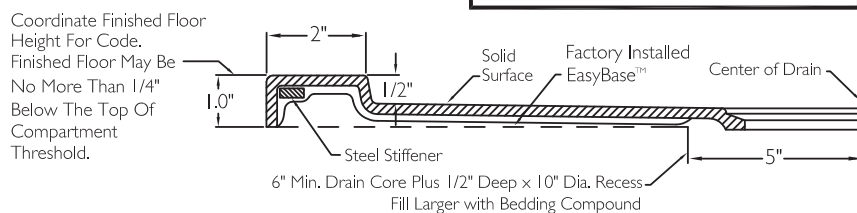
ID 36" x 36" center point

LOAD FACTOR 1.06

HANDED BY Center Drain



#### CROSS SECTION OF THRESHOLD



#### FRAMING DIMENSIONS

A 38.75"    B 19.375"  
C 36.375"    D 19.25"

#### ADDITIONAL CODES

ANSI 124.1-2, HUD, FHA, BOCA, NAHB, UPC, Southern Building Code, ANSI-B Type 2

