

CD Technical Data Sheet

COMMERCIAL CODE COMPLIANT

XSA4136SH OT ANSI-B

ADA/ANSI code compliant

NOTE: For ADA/ANSI compliance, pressure balancing mixing valve, hand-held shower with slide bar, vacuum breaker and 60' hose must be installed per ADA/ANSI guidelines.

CODE COMPLIANT
Enhancing Livable Design

TECHNICAL INFORMATION

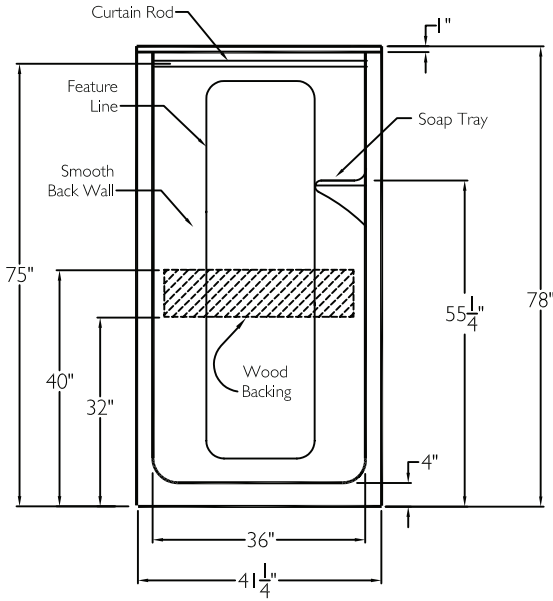
OD 41.25" x 37.5" x 80.625"

ID 36" x 36" center point

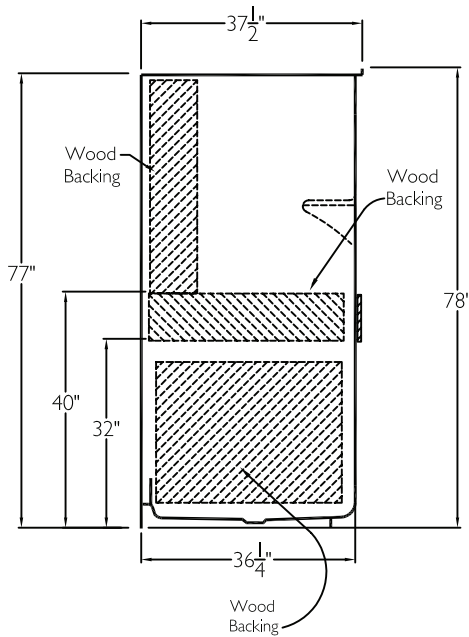
LOAD FACTOR 1.06

HANDED BY Valve Wall

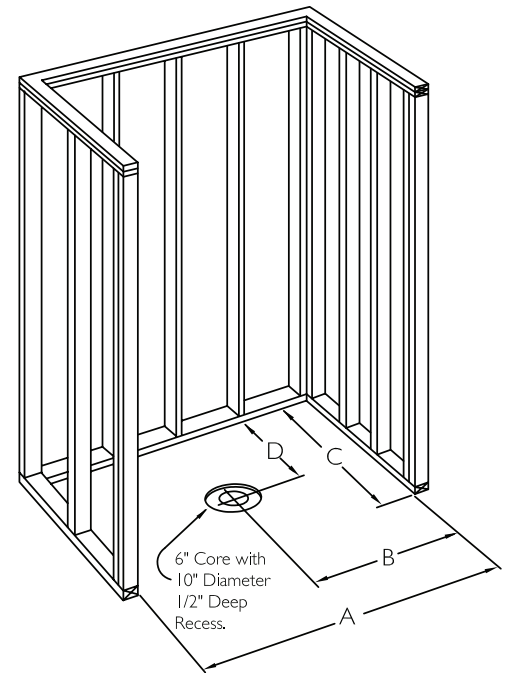
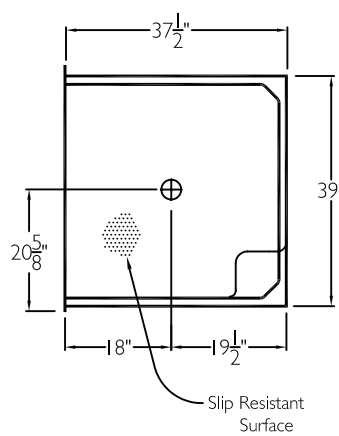
FRONT VIEW



SIDE VIEW



TOP VIEW



FRAMING DIMENSIONS

A 40"	B 19.875"
C 37.5"	D 19.5"

ADDITIONAL CODES

ICC/ANSI I 7.1, ANSI I 24.2, ADAAG, BOCA, NAHBUPC, Southern Building Code

cd
comfortdesigns

comfortdesignsbathware.com | 800.443.7269