

CD Technical Data Sheet

COMMERCIAL CODE COMPLIANT

XSA4136SH ANSI-B

ADA/ANSI code compliant

NOTE: For ADA/ANSI compliance, pressure balancing mixing valve, hand-held shower with slide bar, vacuum breaker and 60' hose must be installed per ADA/ANSI guidelines.

TECHNICAL INFORMATION

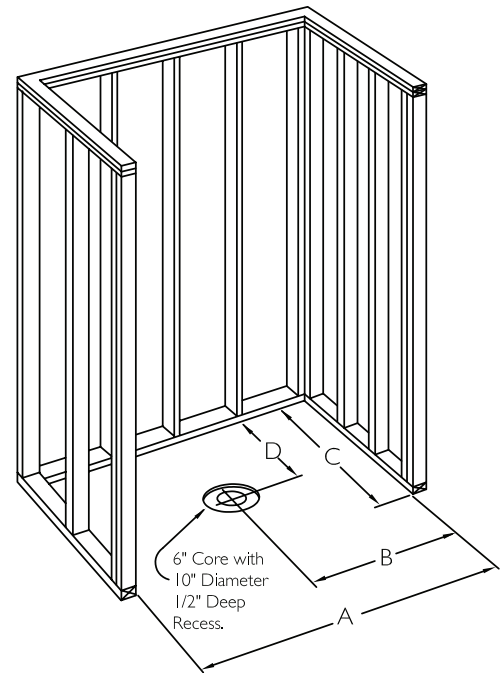
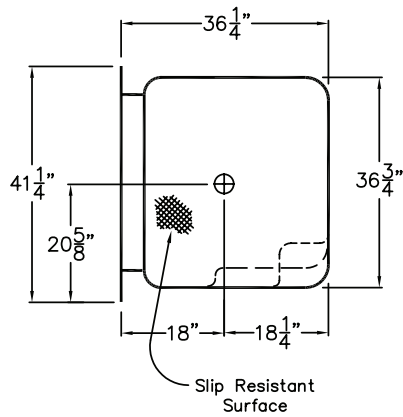
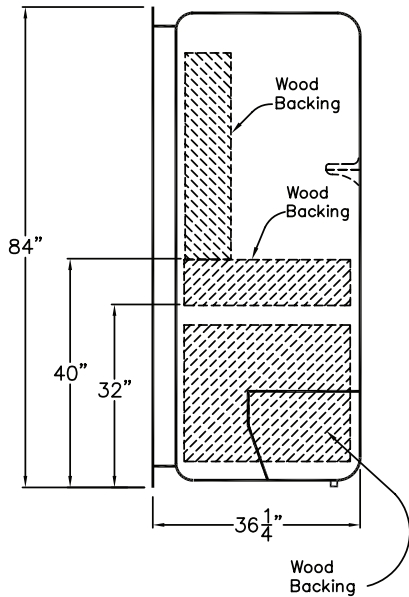
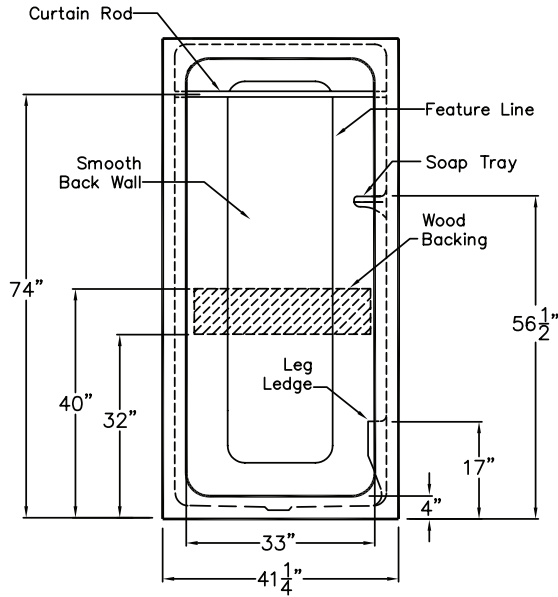
OD 41.25" x 36.25" x 84"

ID 36" x 36" center point

LOAD FACTOR 1.06

HANDED BY Valve Wall

CODE COMPLIANT
Enhancing Livable Design



FRAMING DIMENSIONS

A 40"	B 19.875"
C 36.25"	D 18.25"

ADDITIONAL CODES

ICC/ANSI I 7.1, ANSI I 24.2, ADAAG, BOCA, NAHBUPC, Southern Building Code

