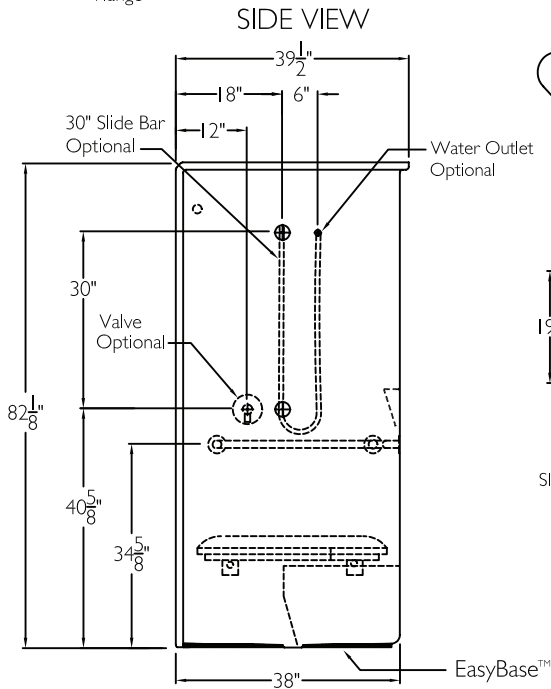
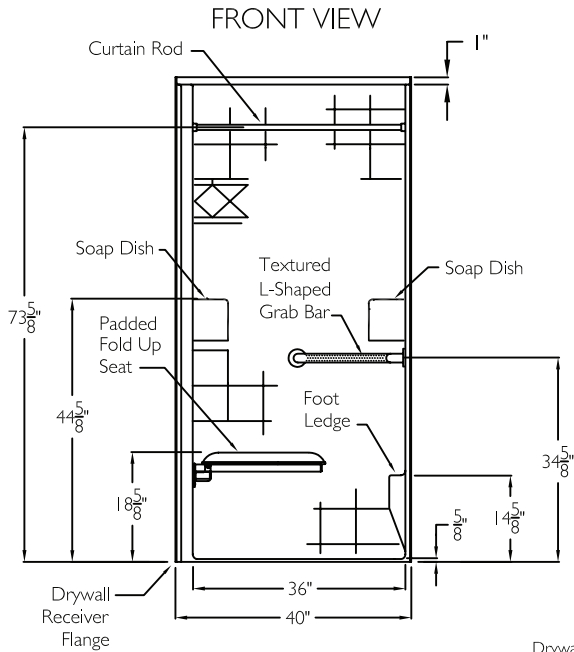


CD Technical Data Sheet
MAS CODE COMPLIANT
XST3938BF .625 MAS
 MAS code compliant

MAS CODE COMPLIANT
 Enhancing Livable Design

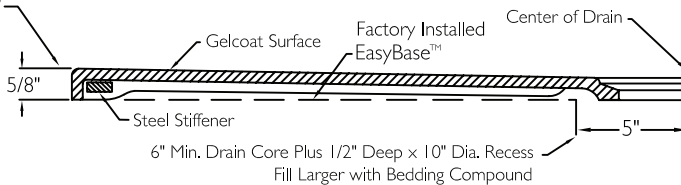
TECHNICAL INFORMATION

OD 40" x 39.5" x 82.125"
 ID 36" x 36" center point
 LOAD FACTOR 1.06
 HANDED BY Valve Wall

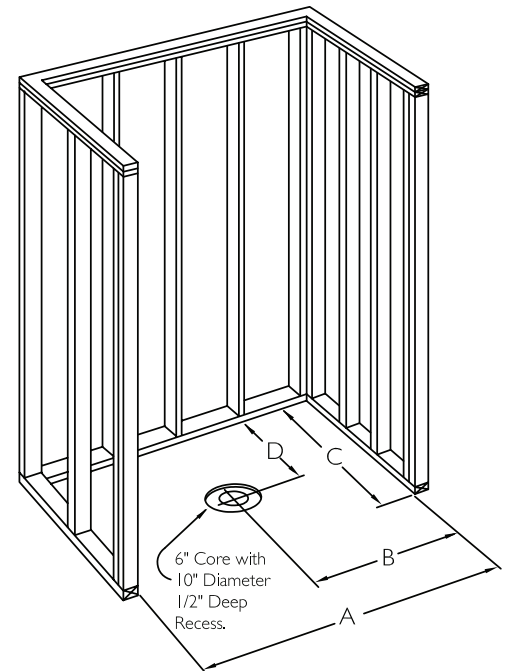
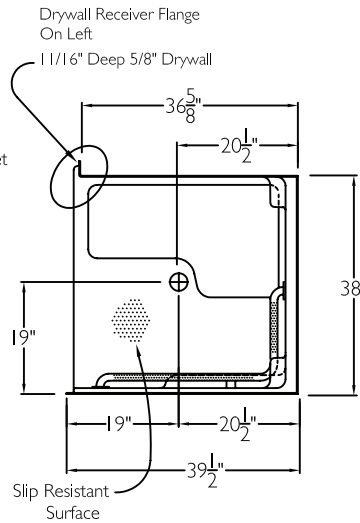


CROSS SECTION OF THRESHOLD

Coordinate Finished Floor Height For Code. Finished Floor May Be No More Than 1/4" Below The Top Of Compartment Threshold.



TOP VIEW



FRAMING DIMENSIONS

A 40.25" B 19.125"
 C 39.5" D 20.5"

ADDITIONAL CODES

ANSI 17.1, ANSI 124.1-2, ADA, HUD, MAS, BOCA, NAHB, UPC, Southern Building Code

