

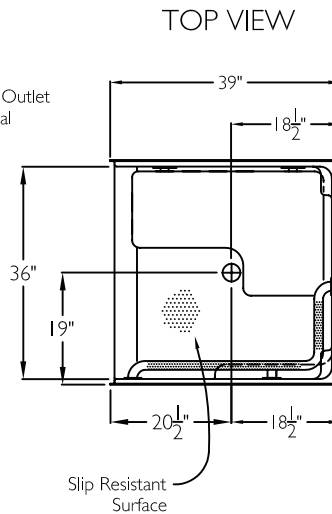
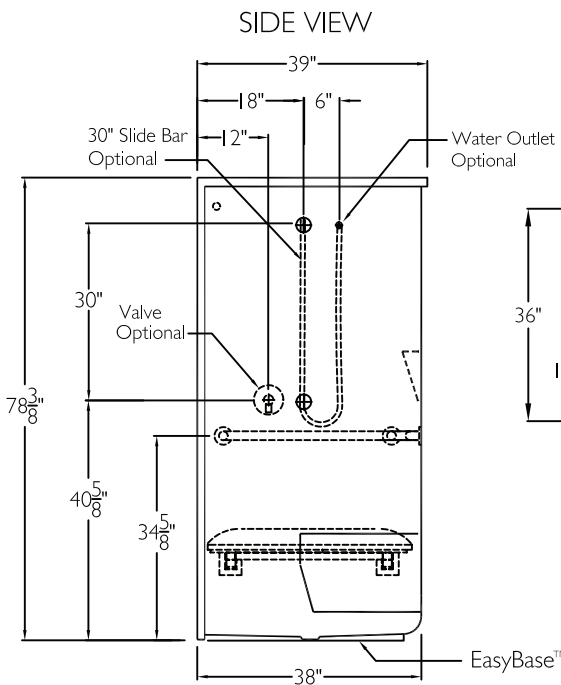
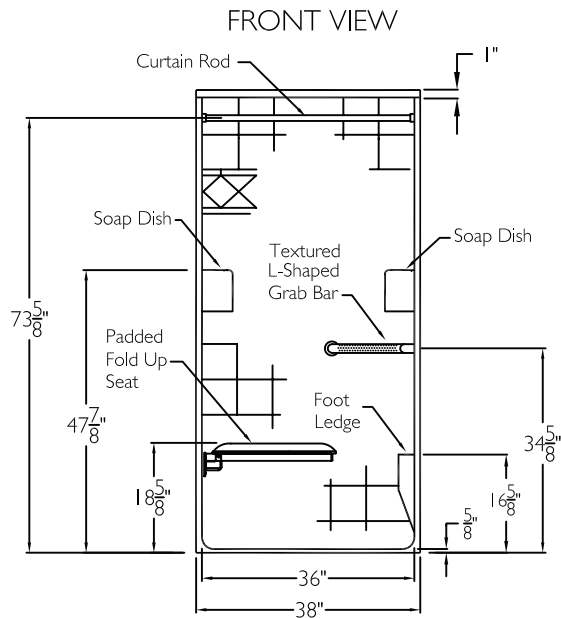
CD Technical Data Sheet

MAS CODE COMPLIANT

XST3838BF .625 MAS

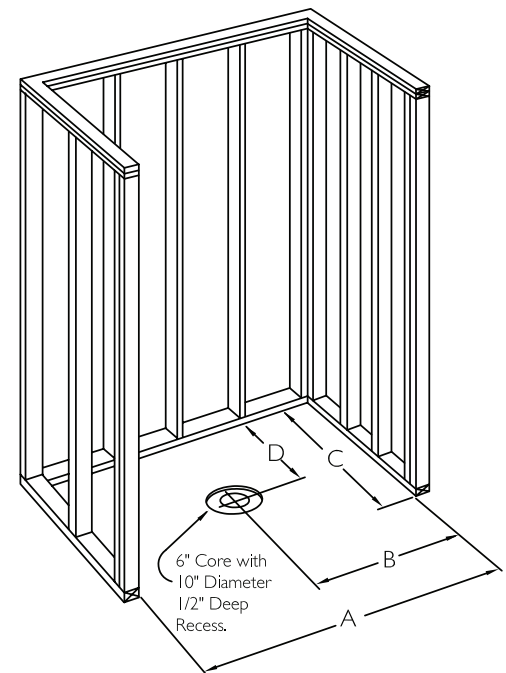
MAS code compliant

MAS CODE COMPLIANT
Enhancing Livable Design



TECHNICAL INFORMATION

OD 38" x 39" x 78.375"
ID 36" x 36" center point
LOAD FACTOR 1.06
HANDED BY Valve Wall



FRAMING DIMENSIONS

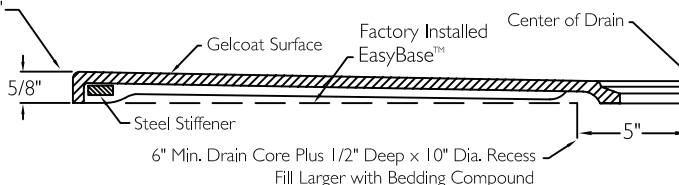
A 38.25" B 19.125"
C 39" D 18.5"

ADDITIONAL CODES

ANSI 117.1, ANSI 124.1-2, ADA, HUD, MAS, BOCA, NAHB, UPC, Southern Building Code

CROSS SECTION OF THRESHOLD

Coordinate Finished Floor Height For Code. Finished Floor May Be No More Than 1/4" Below The Top Of Compartment Threshold.



cd
comfortdesigns