

CD Technical Data Sheet

COMMERCIAL CODE COMPLIANT

XST3838BF

ADA/ANSI code compliant

NOTE: For ADA/ANSI compliance, pressure balancing mixing valve, hand-held shower with slide bar, vacuum breaker and 60' hose must be installed per ADA/ANSI guidelines.

CODE COMPLIANT
Enhancing Livable Design

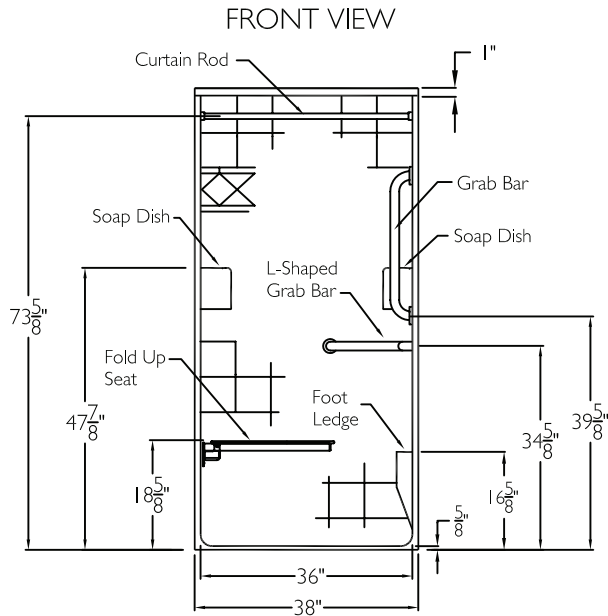
TECHNICAL INFORMATION

OD 38" x 39" x 78.25"

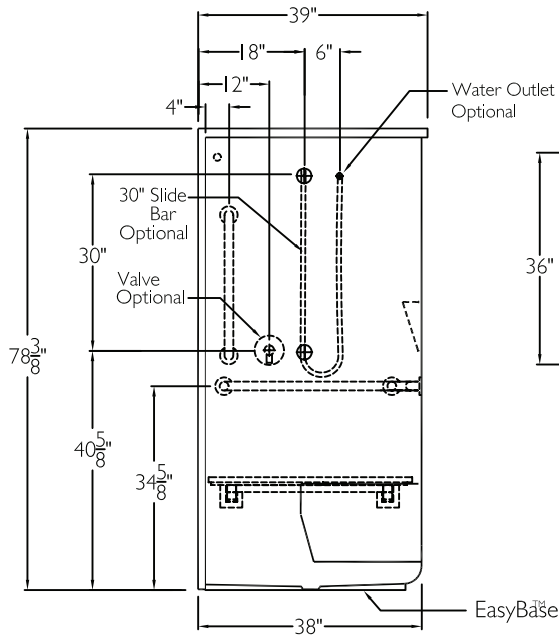
ID 36" x 36" center point

LOAD FACTOR 1.06

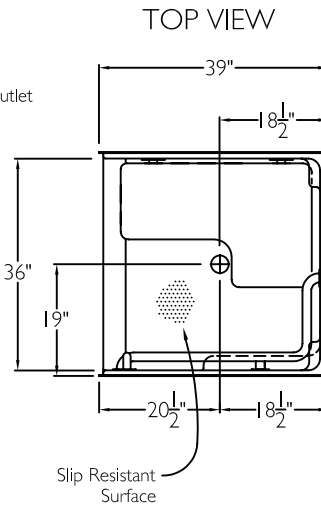
HANDED BY Valve Wall



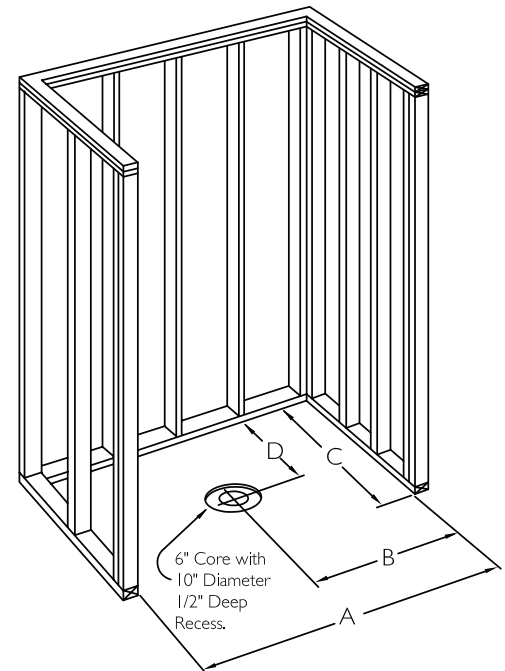
FRONT VIEW



SIDE VIEW



TOP VIEW

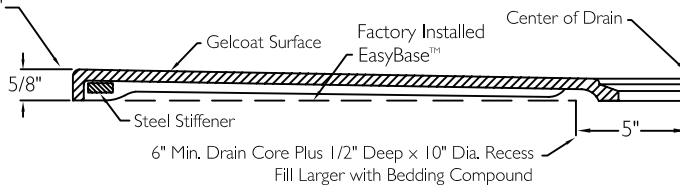


FRAMING DIMENSIONS

A 38.25" B 19.125"
C 39" D 18.5"

CROSS SECTION OF THRESHOLD

Coordinate Finished Floor Height For Code. Finished Floor May Be No More Than 1/4" Below The Top Of Compartment Threshold.



ADDITIONAL CODES

ICC/ANSI I 7.1, ANSI I 24.2, ADAAG, BOCA, NAHBUPC, Southern Building Code

