

CD Product Sheet

COMMERCIAL CODE COMPLIANT

SST3938BF

ADA/ANSI code compliant

NOTE: For ADA/ANSI compliance, pressure balancing mixing valve, hand-held shower with slide bar, vacuum breaker and 60' hose must be installed per ADA/ANSI guidelines.

TECHNICAL INFORMATION

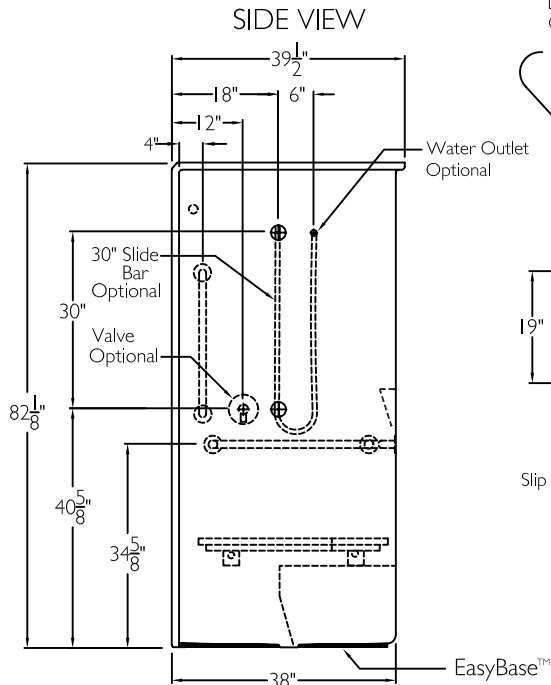
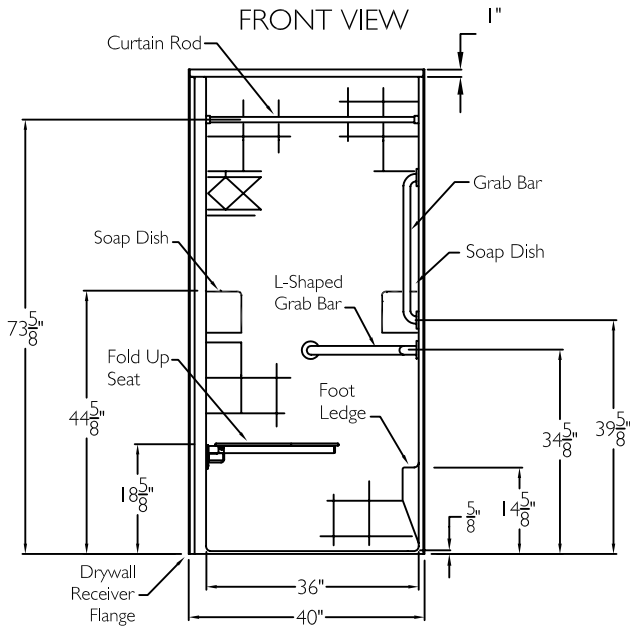
OD 40" x 39.5" x 82"

ID 36" x 36" center point

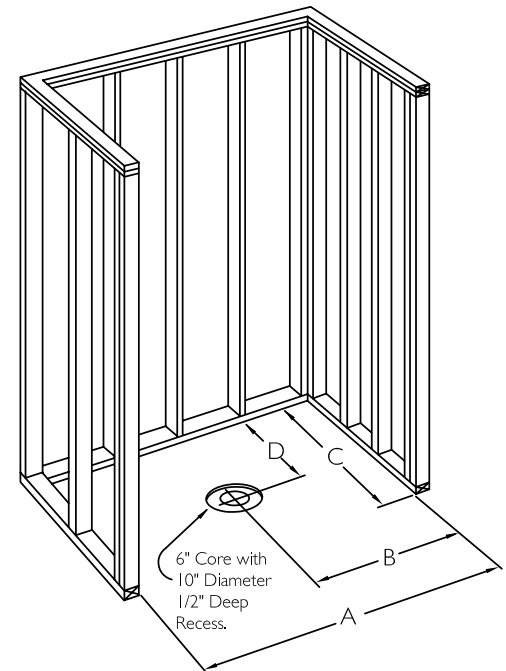
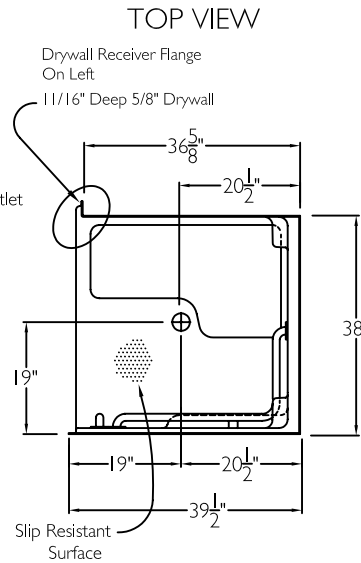
LOAD FACTOR 1.06

HANDED BY Seat

CODE COMPLIANT
Enhancing Livable Design



CROSS SECTION OF THRESHOLD



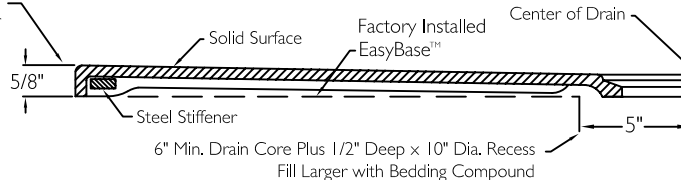
FRAMING DIMENSIONS

A 40.25" B 19.125"
C 39.5" D 20.5"

ADDITIONAL CODES

ICC/ANSI I 7.1, ANSI I 24.2, ADAAG, BOCA, NAHBUPC, Southern Building Code

Coordinate Finished Floor Height For Code. Finished Floor May Be No More Than 1/4" Below The Top Of Compartment Threshold.



cd
comfortdesigns