

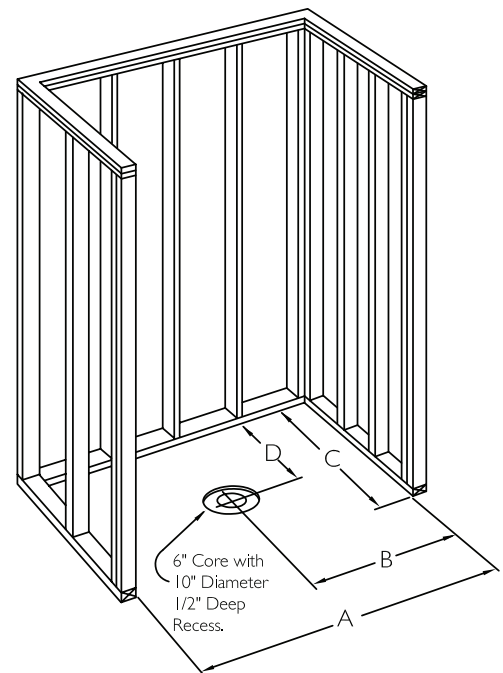
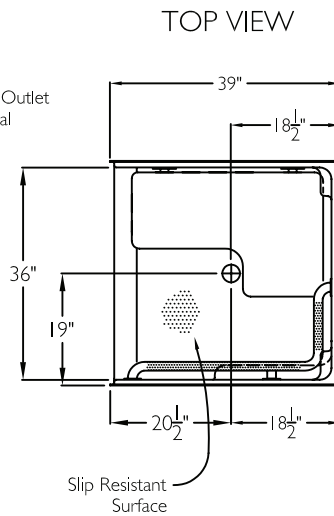
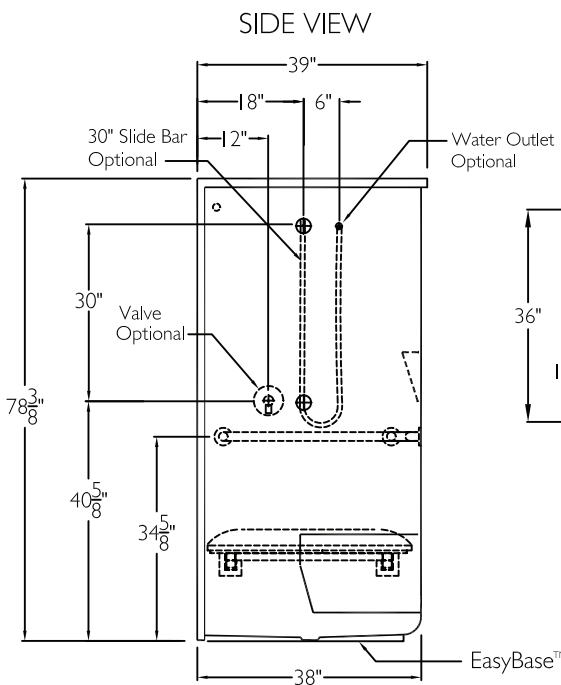
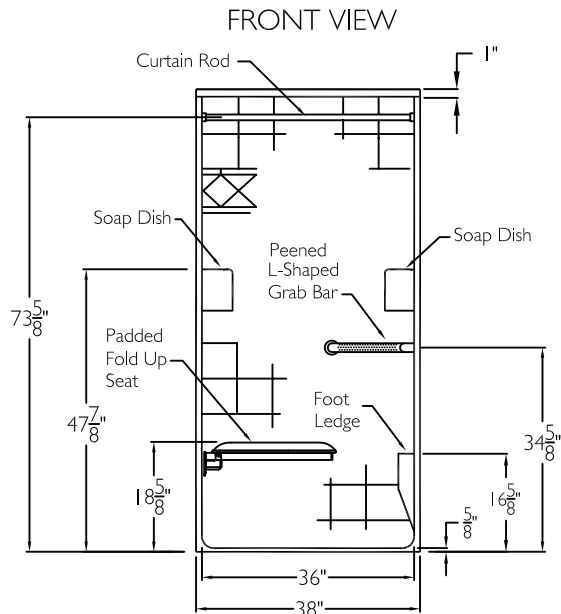
# CD Technical Data Sheet

## MAS CODE COMPLIANT

### SST3838BF .625 MAS

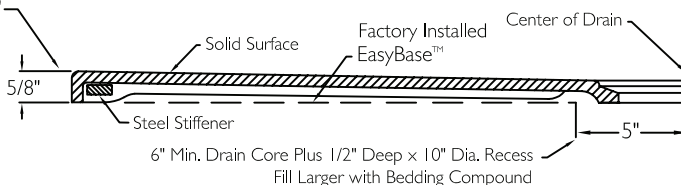
MAS code compliant

**MAS CODE COMPLIANT**  
Enhancing Livable Design



**CROSS SECTION OF THRESHOLD**

Coordinate Finished Floor Height For Code. Finished Floor May Be No More Than 1/4" Below The Top Of Compartment Threshold.



**TECHNICAL INFORMATION**

OD 38" x 39" x 78.375"  
ID 36" x 36" center point  
LOAD FACTOR 1.06  
HANDED BY Valve Wall

**FRAMING DIMENSIONS**

A 38.25"    B 19.125"  
C 39"        D 18.5"

**ADDITIONAL CODES**

ANSI 117.1, ANSI 124.1-2, ADA, HUD, MAS, BOCA, NAHB, UPC, Southern Building Code

