

CD Technical Data Sheet

COMMERCIAL CODE COMPLIANT

SSS3698BF

ADA/ANSI code compliant

NOTE: For ADA/ANSI compliance, pressure balancing mixing valve, hand-held shower with slide bar, vacuum breaker and 60' hose must be installed per ADA/ANSI guidelines.

CODE COMPLIANT
Enhancing Livable Design

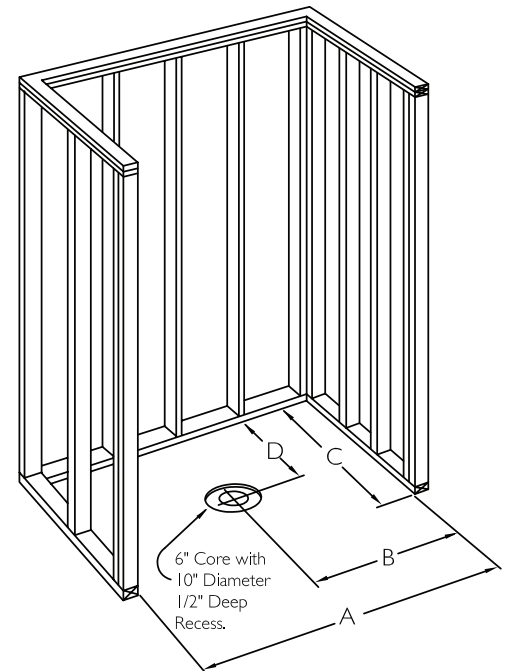
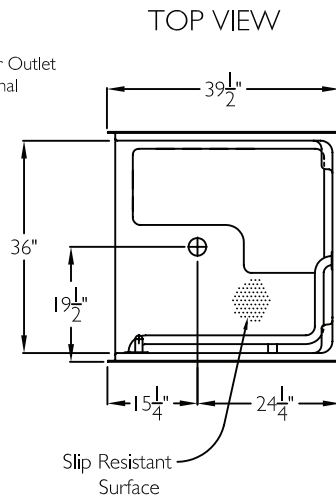
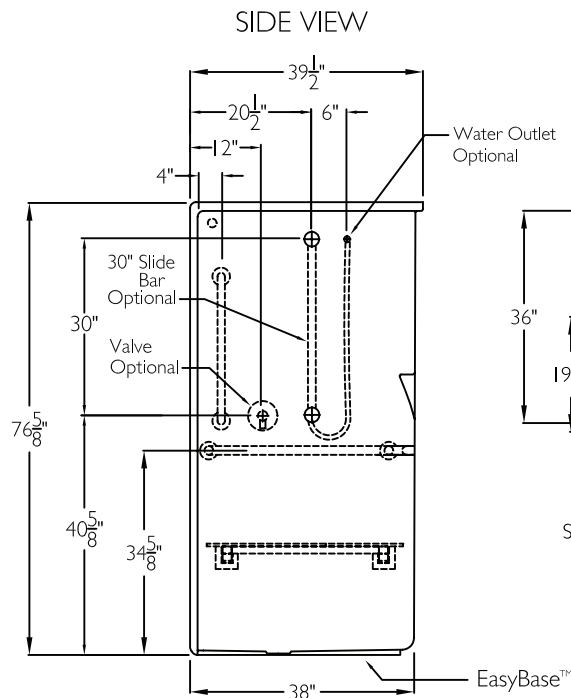
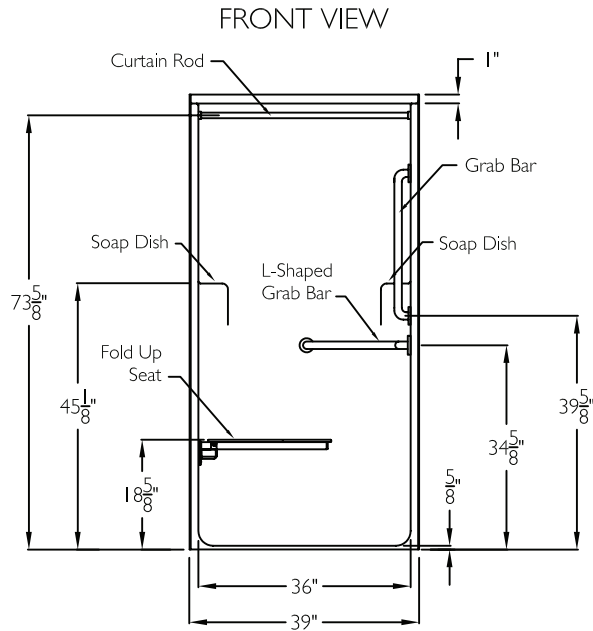
TECHNICAL INFORMATION

OD 39" x 39.5" x 76.5"

ID 36" x 36" center point

LOAD FACTOR 1.06

HANDED BY Valve Wall



FRAMING DIMENSIONS

A 39.25" B 19.625"
C 39.5" D 24.25"

ADDITIONAL CODES

ICC/ANSI I 7.1, ANSI I 24.2, ADAAG, BOCA, NAHBUPC, Southern Building Code

CROSS SECTION OF THRESHOLD

