

CD Technical Data Sheet

COMMERCIAL CODE COMPLIANT

SSS3637BF 3P RRF

ADA/ANSI code compliant

NOTE: For ADA/ANSI compliance, pressure balancing mixing valve, hand-held shower with slide bar, vacuum breaker and 60" hose must be installed per ADA/ANSI guidelines.

CODE COMPLIANT
Enhancing Livable Design

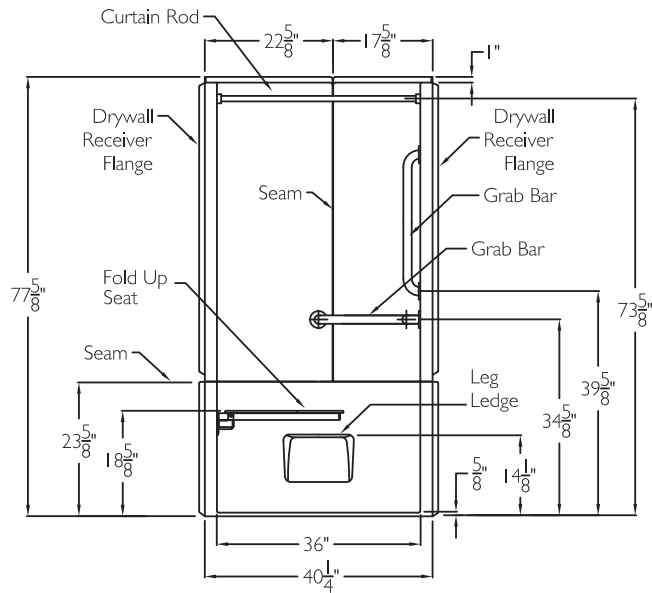
TECHNICAL INFORMATION

OD 40.25" x 38.5" x 77.625"

ID 36" x 36" center point

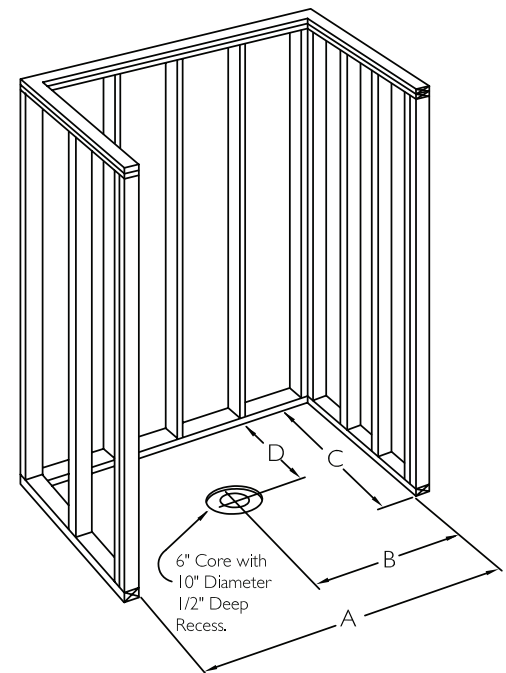
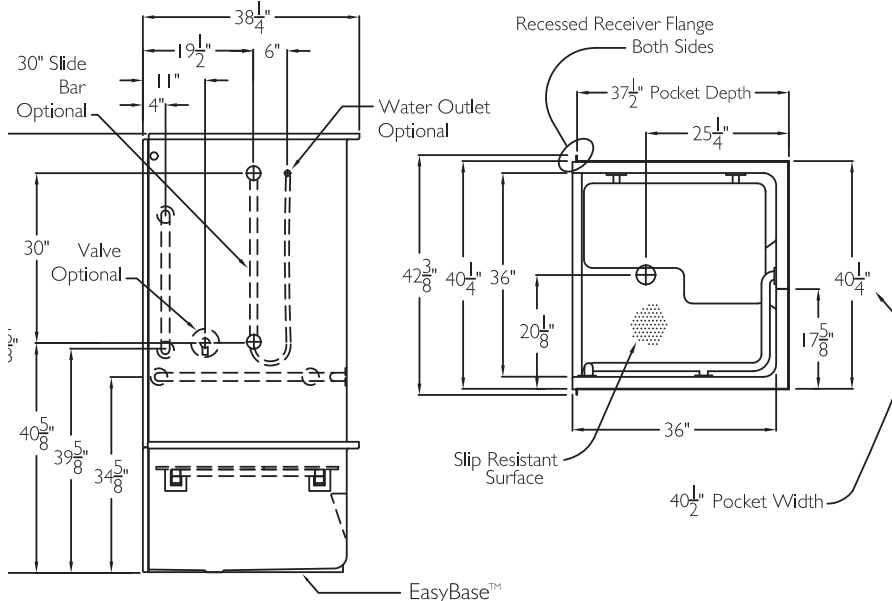
LOAD FACTOR 1.06

HANDED BY Valve Wall



SIDE VIEW

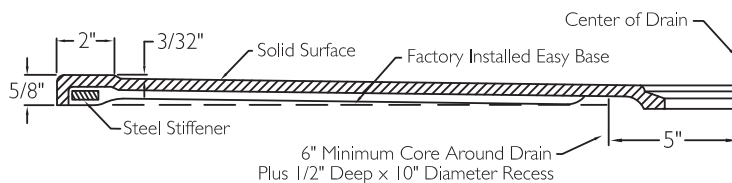
TOP VIEW



FRAMING DIMENSIONS

A 40.25" B 20.125"
C 37.5" D 25.25"

CROSS SECTION OF THRESHOLD



ADDITIONAL CODES

ICC/ANSI 17.1, ANSI 24.2, ADAAG, BOCA, NAHBUPC, Southern Building Code