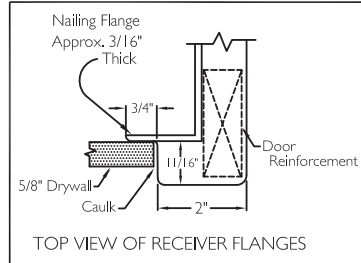
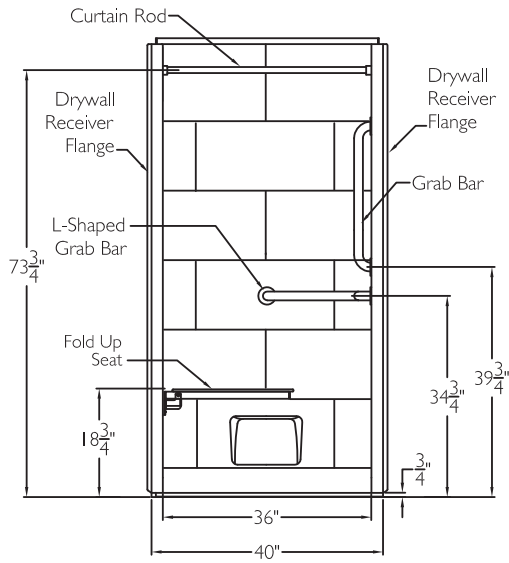


TECHNICAL DATA SHEET

TRENCH DRAIN SHOWER SYSTEM

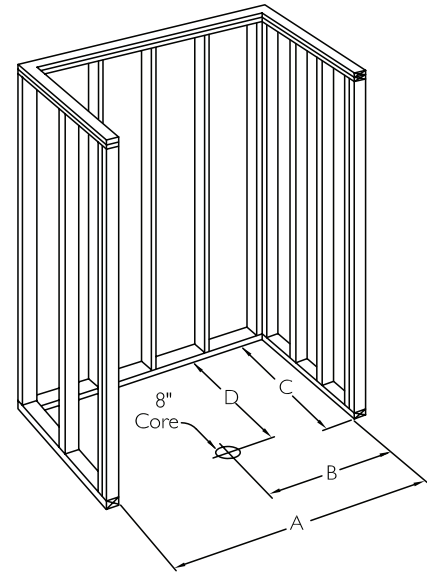
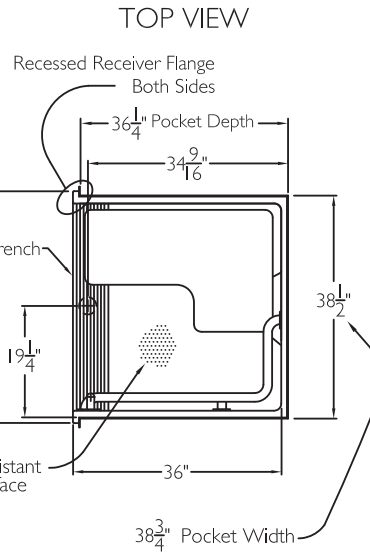
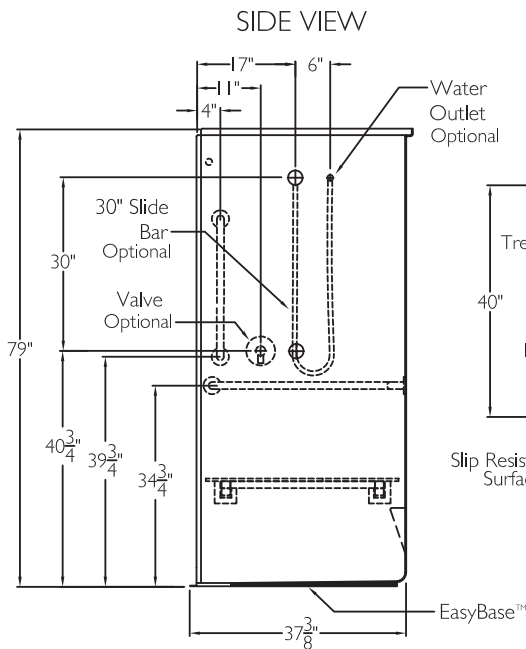
SST3838TR .75 RRF

CODE COMPLIANT
Enhancing Livable Design



TECHNICAL INFORMATION

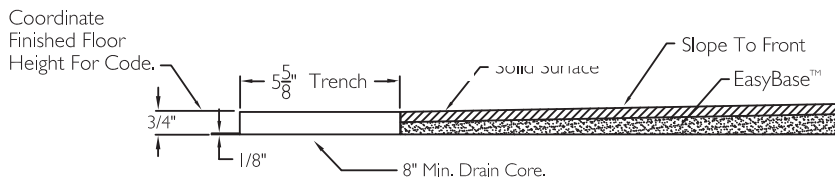
OD 38.5" x 37.2" x 79"
ID 36" x 36" center point
LOAD FACTOR 1.06
HANDED BY Value



FRAMING DIMENSIONS

A 38.75" B 19.375"
C 36.25" D 34.5625"

CROSS SECTION OF THRESHOLD



ADDITIONAL CODES

ICC/ANSI I 7.1, ANSI 24.2, ADAAG, BOCA, NAHBUPC, Southern Building Code