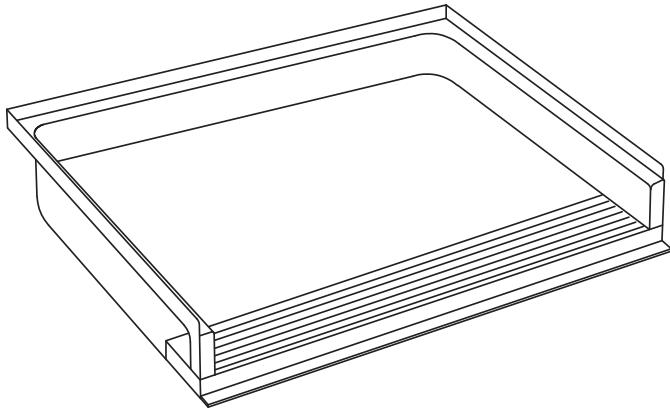


XSB3838TR .75

inches

TRENCH DRAIN SHOWER PAN

38 1/2W x 38 1/2D x 4 1/2H



FEATURES

- 3/4" profile height
- Integral front trench drain
- Slip-resistant surface on floor
- AcrylX™ surface finish
- ArmorCore EasyBase bottom
- 30-year warranty*

STANDARDS AND RATINGS

- ADA
- ICC/ANSI117.1
- ANSI124.2
- ADAAG
- BOCA
- NAHBUPC
- Southern building codes

Code compliant when fully equipped and installed according to guidelines.

*See terms and conditions for details.

COLOR & TRIM OPTIONS

Stock	Code
White	WT
Bone	BN
Biscuit	BS

Additional custom colors available.
(Contact Customer Service)



MADE IN THE USA

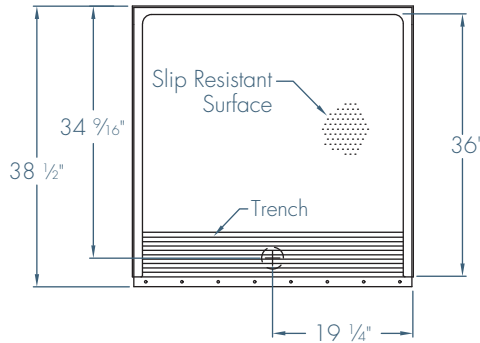
XSB3838TR .75

Exterior Dimensions

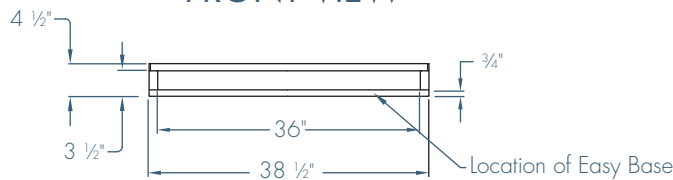
38 1/2" W x 38 1/2" D x 4 1/2" H
inches

Installation instructions can be found on the Comfort Designs website.

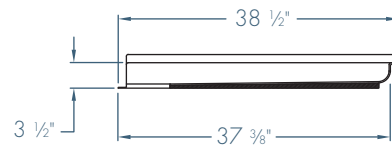
TOP VIEW



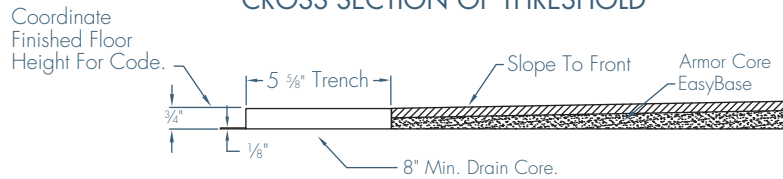
FRONT VIEW



SIDE VIEW



CROSS SECTION OF THRESHOLD



FEATURES Dimensional Tolerance $\pm \frac{1}{16}$ ". Dimensions needed for site preparation should be measured from the unit. Comfort Designs assumes no responsibility for preparatory work.

Type and Model #	Material	Drain	Threshold Height	Pkg. Wt. lbs
Shower Pan #XSB3838TR .75	AcrylX™	Front Trench	3/4"	45

DIMENSIONS

Specifications	inches
Width: ext. / int.	38 1/2 / 36
Depth: ext. / int.	38 1/2 / 36
Height: ext. / int.	4 1/2 / 3 1/2

FRAMING DIMENSIONS inches

Type	D Depth	W Width	H Height	A	B	C
Alcove	37 1/8"	38 3/4"	-	Box Out	19 3/8"	34 9/16"

