

TECHNICAL DATA SHEET

TRENCH DRAIN SHOWER SYSTEM

XST5050TR .75 5P L-BAR

VA code compliant

CODE COMPLIANT
Enhancing Livable Design

TECHNICAL INFORMATION

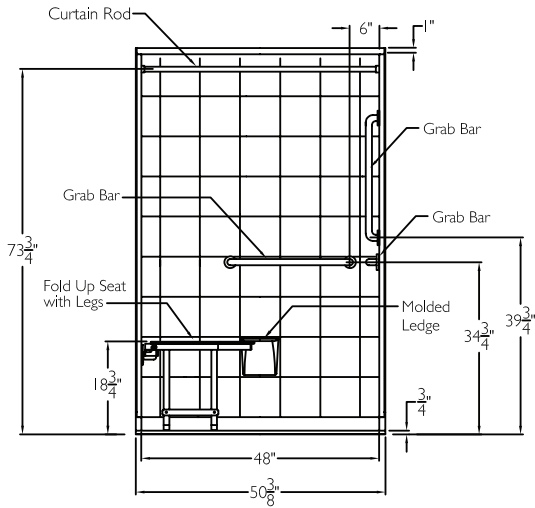
OD 50.375" x 50.25" x 78"

ID 48" x 48" center point

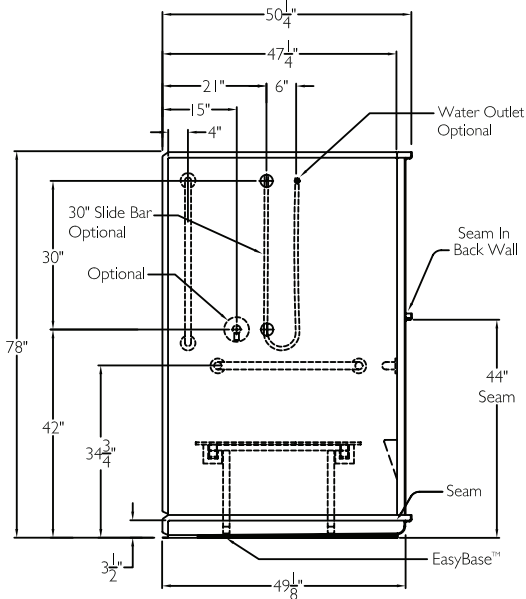
LOAD FACTOR 1.22

HANDED BY Center Drain

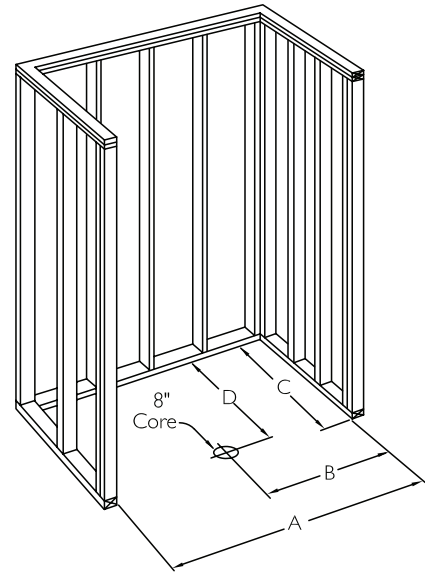
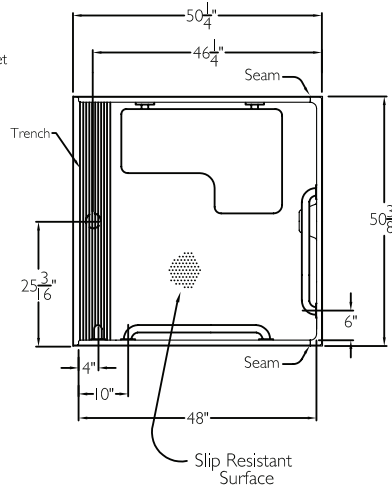
FRONT VIEW



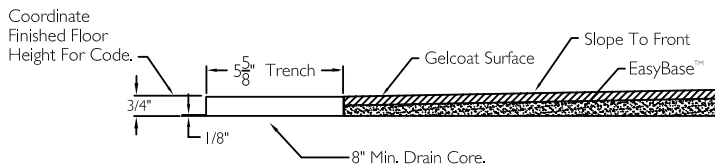
SIDE VIEW



TOP VIEW



CROSS SECTION OF THRESHOLD



FRAMING DIMENSIONS

A 50.625" B 25.5"

C 50.25" D 46.25"

ADDITIONAL CODES

ICC/ANSI I 7.1, ANSI 24.2, ADAAG, BOCA, NAHBUPC, Southern Building Code

