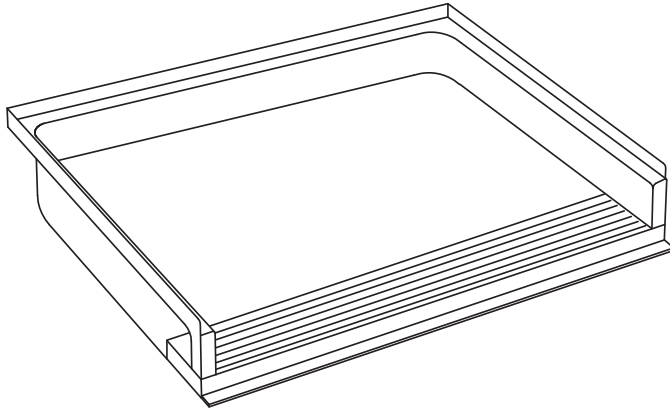


SSB3838TR .75

inches

TRENCH DRAIN SHOWER PAN

38 1/2W x 38 1/2D x 4 1/2H



FEATURES

- 3/4" profile height
- Integral front trench drain
- Slip-resistant surface on floor
- Solid surface finish
- ArmorCore EasyBase bottom
- 30-year warranty*

STANDARDS AND RATINGS

- ADA
- ICC/ANSI117.1
- ANSI124.2
- ADAAG
- BOCA
- NAHBUPC
- Southern building codes

Code compliant when fully equipped and installed according to guidelines.

*See terms and conditions for details.

COLOR & TRIM OPTIONS

Stock	Code
White	WT
Bone	BN
Biscuit	BS
Cotton Seed	CT
Ashley	AS
Almond	AL
Beach	BC
Dune	DN
Mink	MK
Violet	VT
Coco	CO
Rabbit	RB
Quail	QU

Additional custom colors available.
(Contact Customer Service)



MADE IN THE USA



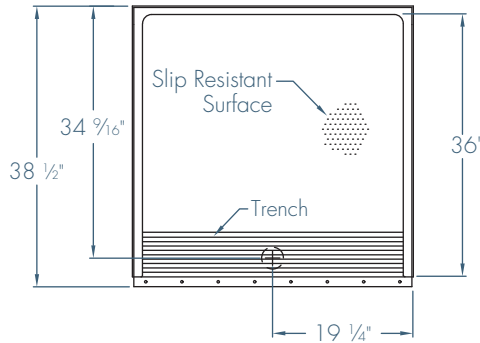
SSB3838TR .75

Exterior Dimensions

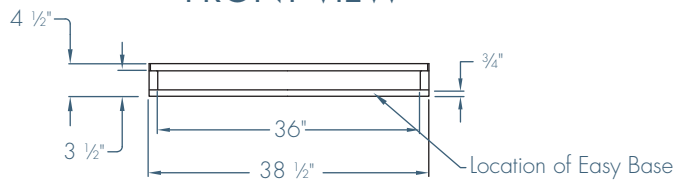
38 1/2" W x 38 1/2" D x 4 1/2" H
inches

Installation instructions can be found on the Comfort Designs website.

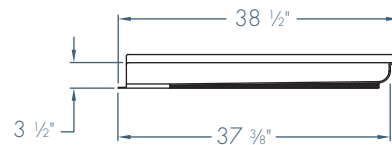
TOP VIEW



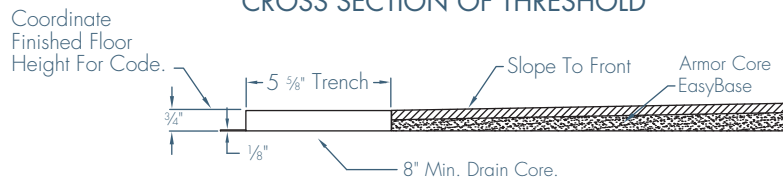
FRONT VIEW



SIDE VIEW



CROSS SECTION OF THRESHOLD



FEATURES Dimensional Tolerance $\pm \frac{1}{16}$ ". Dimensions needed for site preparation should be measured from the unit. Comfort Designs assumes no responsibility for preparatory work.

Type and Model #	Material	Drain	Threshold Height	Pkg. Wt. lbs
Shower Pan #SSB3838TR .75	Solid Surface	Front Trench	3/4"	45

DIMENSIONS

Specifications	inches
Width: ext. / int.	38 1/2 / 36
Depth: ext. / int.	38 1/2 / 36
Height: ext. / int.	4 1/2 / 3 1/2

FRAMING DIMENSIONS inches

Type	D Depth	W Width	H Height	A	B	C
Alcove	37 1/8"	38 3/4"	-	Box Out	19 3/8"	34 9/16"

