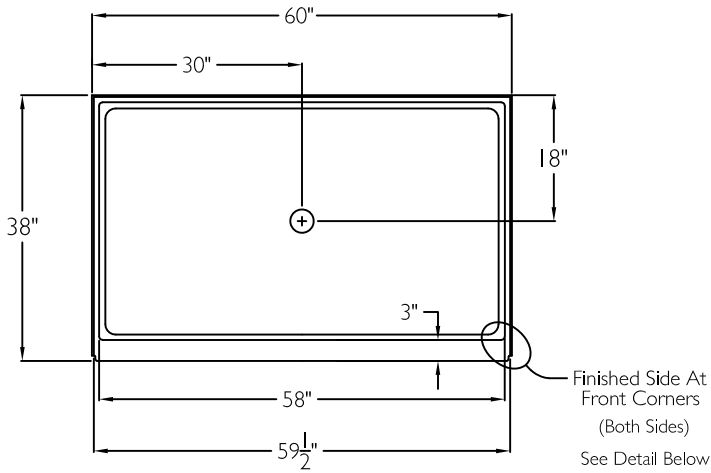
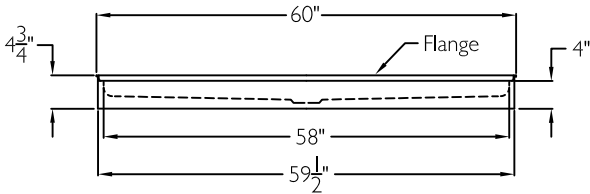


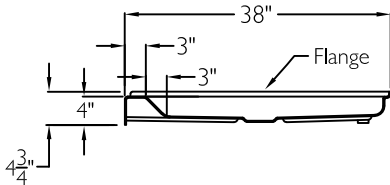
TOP VIEW



FRONT VIEW



SIDE VIEW



## SPECIFICATION SHEET

This shower enclosure shall be model SSB 6038 ANSI Type B, FHA Specification B Pan with center drain. Finished surface shall be of a sanitary grade solid surface.

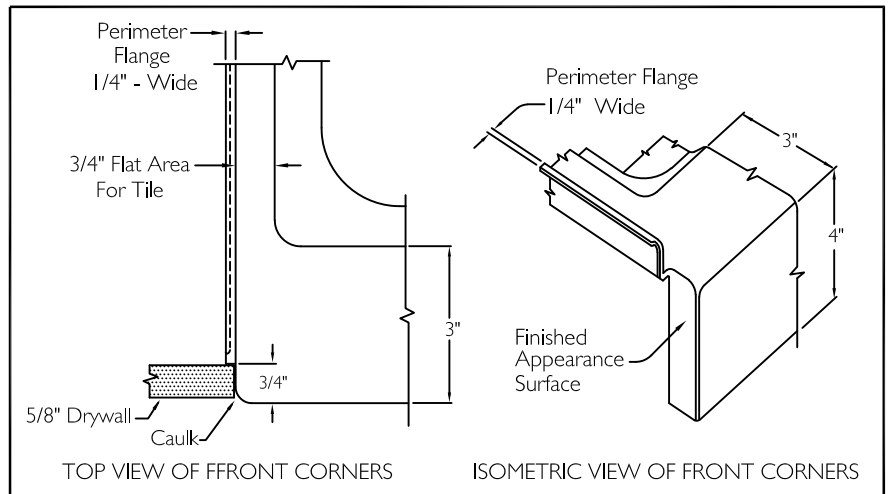
This unit shall have outside dimensions of 60" x 38" x 4 3/4".

The unit shall meet ANSI Z124.1-2, UPC, CSA B45.5, FHA Specification B, ANSI Type B, and Home Innovation Research Lab.

HANDED BY THE CENTER DRAIN

The enclosure shall be equipped with the following features:

- 1) Solid surface finish,
- 2) Center drain location,
- 3) 3/4" high perimeter mounting flange, 1/4" wide,
- 4) No recessed flanges,
- 5) Finish surface on side at front, (see detail below),
- 6) 4.0" threshold.



THIS UNIT FEATURES THE OUTSIDE DIMENSIONS OF 60" BY 38". THE 60" WIDTH DIMENSION INCLUDES THE .250" WIDE TOP FLANGE ON EACH SIDE. FRAMING WIDTH MUST BE AT LEAST 60 1/4" WIDE. SEE PAGE 2 FOR FRAMING DETAILS. FINISHED WALLS ABOVE THE SHOWER BASE BY OTHERS.

Job Name	Approved By Print Name		Date	<b>COMFORT DESIGNS</b>	
Project No	Approved By Signature			Model No. SSB 6038 4.0 ANSI Type B - FHA Spec B Pan-I No RRF	
Comfort Designs 435 Industrial Road Savannah, TN 38372 tel 800.443.7269 fax 731.925.4290 www.comfortdesignsbathware.com	Architect			Drawing No. SSB 6038 4.0 ANSI Type B - FHA Spec B Pan-I No RRF	
	Engineer			Date Issued. 4-21-16	Drawing Rev. 7-17-20
	Rep			Material. Solid surface	
	Wholesaler			Color.	
	Comments			Dimensions are in inches. Due to the nature of the materials dimensions may vary ± 1/2"	