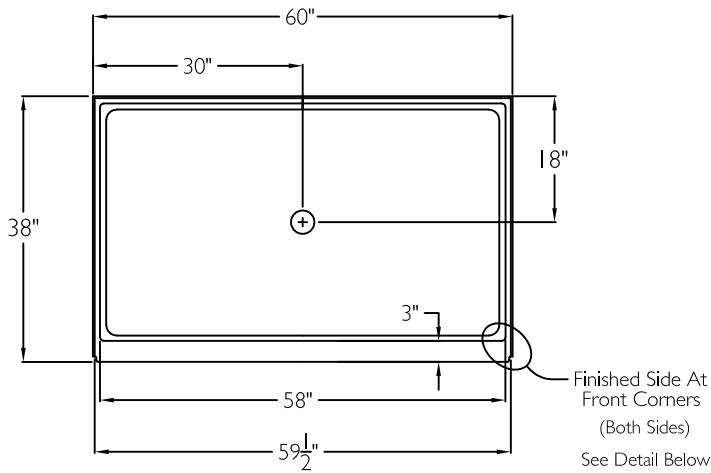


TOP VIEW



SPECIFICATION SHEET

This shower enclosure shall be model XSB 6038 ANSI Type B, FHA Specification B Pan with center drain. Finished surface shall be of a sanitary grade AcrylX™ applied acrylic.

This unit shall have outside dimensions of 60" x 38" x 4 3/4".

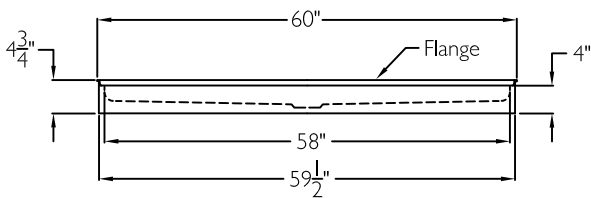
The unit shall meet ANSI Z124.1-2, UPC, CSA B45.5, FHA Specification B, ANSI Type B, and Home Innovation Research Lab.

HANDED BY THE CENTER DRAIN

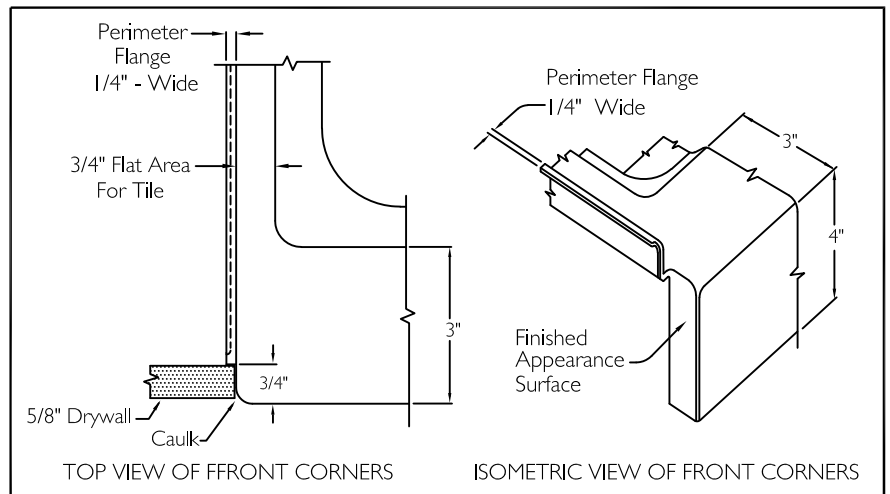
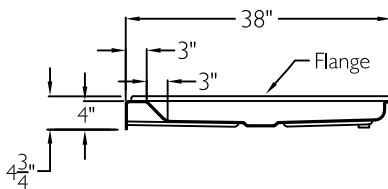
The enclosure shall be equipped with the following features:

- 1) Applied acrylic finish,
- 2) Center drain location,
- 3) 3/4" high perimeter mounting flange, 1/4" wide,
- 4) No recessed flanges,
- 5) Finish surface on side at front, (see detail below),
- 6) 4.0" threshold.

FRONT VIEW



SIDE VIEW



THIS UNIT FEATURES THE OUTSIDE DIMENSIONS OF 60" BY 38". THE 60" WIDTH DIMENSION INCLUDES THE .250" WIDE TOP FLANGE ON EACH SIDE. FRAMING WIDTH MUST BE AT LEAST 60 1/4" WIDE. SEE PAGE 2 FOR FRAMING DETAILS. FINISHED WALLS ABOVE THE SHOWER BASE BY OTHERS.

Job Name	Approved By Print Name	Date	COMFORT DESIGNS	
Project No	Approved By Signature		Model No. XSB 6038 4.0 ANSI Type B - FHA Spec B Pan-I No RRF	
Comfort Designs 435 Industrial Road Savannah, TN 38372 tel 800.443.7269 fax 731.925.4290 www.comfortdesignsbathware.com	Architect		Drawing No. XSB 6038 4.0 ANSI Type B - FHA Spec B Pan-I No RRF	
	Engineer		Date Issued. 4-21-16	Drawing Rev. 7-17-20
	Rep		Material. AcrylX™ applied acrylic	
	Wholesaler		Color.	
	Comments	Dimensions are in inches. Due to the nature of the materials dimensions may vary ± 1/2"		