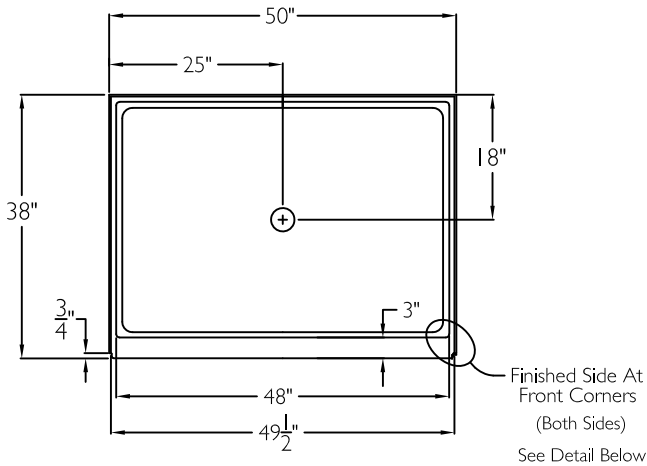


TOP VIEW



SPECIFICATION SHEET

This shower enclosure shall be model SSB 5038 ANSI Type B, FHA Specification B Pan with center drain. Finished surface shall be of a sanitary grade solid surface.

This unit shall have outside dimensions of 50" x 38" x 4 3/4".

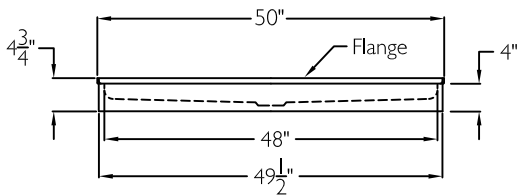
The unit shall meet ANSI Z124.1-2, UPC, CSA B45.5, FHA Specification B, and ANSI Type B.

HANDED BY THE CENTER DRAIN

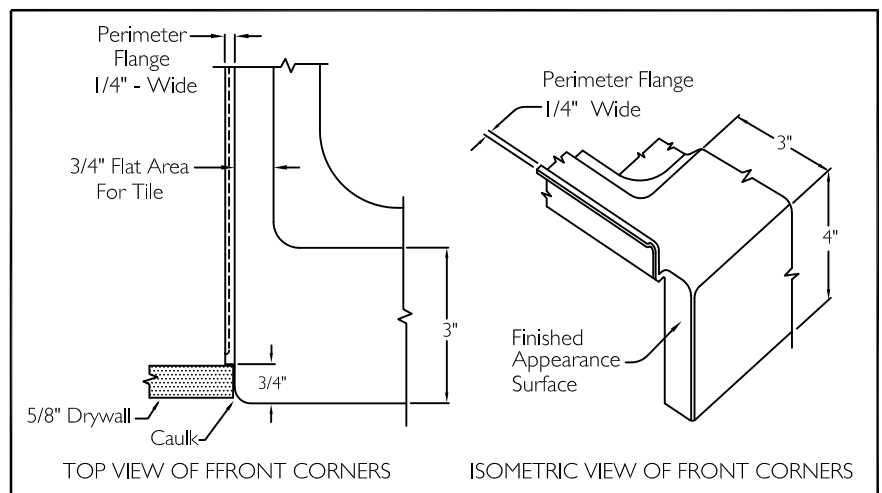
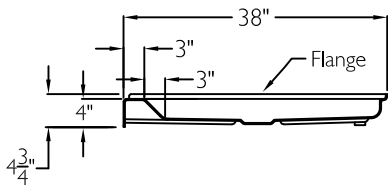
The enclosure shall be equipped with the following features:

- 1) Solid surface finish,
- 2) Center drain location,
- 3) 3/4" high perimeter mounting flange, 1/4" wide,
- 4) No recessed flanges,
- 5) Finish surface on side at front, (see detail below),
- 6) 4.0" threshold.

FRONT VIEW



SIDE VIEW



THIS UNIT FEATURES THE OUTSIDE DIMENSIONS OF 50" BY 38". THE 50" WIDTH DIMENSION INCLUDES THE .250" WIDE TOP FLANGE ON EACH SIDE. FRAMING WIDTH MUST BE AT LEAST 50 1/4" WIDE. SEE PAGE 2 FOR FRAMING DETAILS. FINISHED WALLS ABOVE THE SHOWER BASE BY OTHERS.

Job Name	Approved By Print Name	Date	COMFORT DESIGNS	
Project No	Approved By Signature		Model No. SSB 5038 4.0 ANSI Type B - FHA Spec B Pan-I No RRF	
Comfort Designs 435 Industrial Road Savannah, TN 38372 tel 800.443.7269 fax 731.925.4290 www.comfortdesignsbathware.com	Architect		Drawing No. SSB 5038 4.0 ANSI Type B - FHA Spec B Pan-I No RRF	
	Engineer		Date Issued. 4-20-16	Drawing Rev. 7-17-20
	Rep		Material. Solid surface	
	Wholesaler		Color.	
Comments			Dimensions are in inches. Due to the nature of the materials dimensions may vary ± 1/2"	