

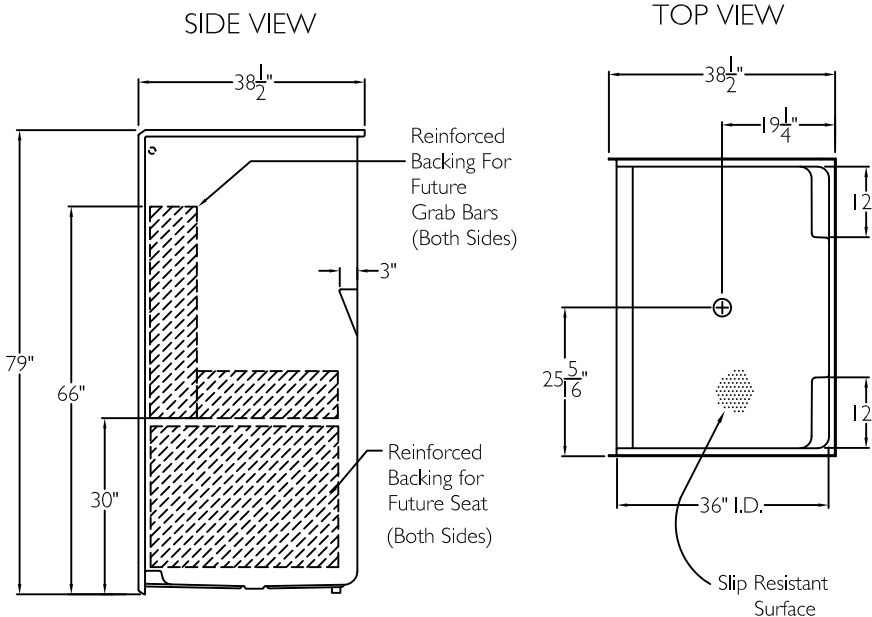
## SUBMITTAL

This shower enclosure shall be model SST 5038 SH 4.0 left or right. Finished surface shall be of a sanitary grade solid surface.

Unit construction shall be of a molded reinforced fiberglass with a 15% minimum fiberglass content.

The unit shall have outside dimensions of 50 5/8" x 38 1/2" x 79" with a 4.0" threshold. The base shall be attached to the sump in such a manner to form an integral part with an inner and outer coating of reinforced polyester resin. The unit shall meet IAPMOZ124.1-2, HUD-UM73, Home Innovation Research Lab, CSA B45.5, and shall meet the requirements ANSI-B.

HANDED BY THE CENTER



The enclosure shall be equipped with the following accessories:

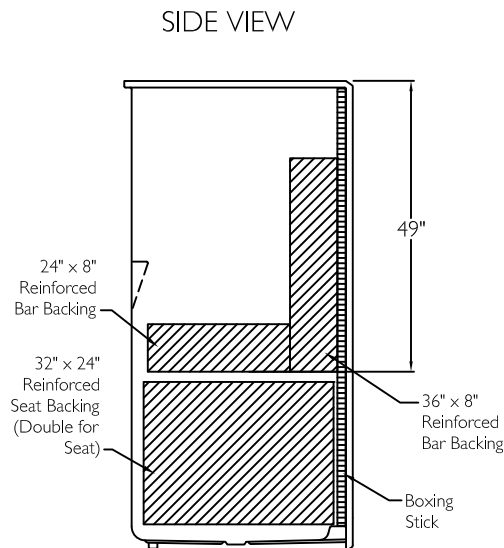
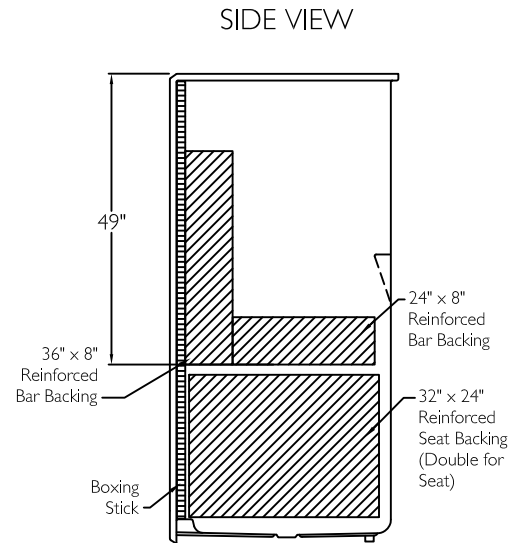
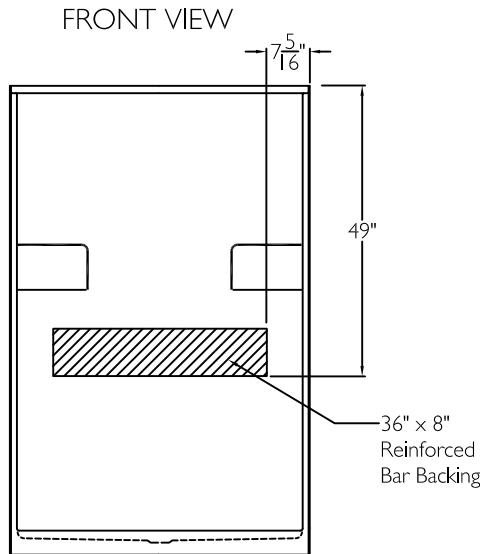
- 1) Reinforced backing on the back wall for future horizontal grab bar,
- 2) Reinforced backing on both side walls for future horizontal and vertical grab bars, (Future Grab Bars By Others),
- 3) Reinforced backing on both side walls for future fold up seat, (Future Seat By Others),
- 4) One inch diameter stainless steel curtain rod with receiver cups,
- 5) Molded corner soap dishes,
- 6) Subway tile pattern on walls,
- 7) 4.0" Threshold.

THIS UNIT FEATURES THE OUTSIDE DIMENSION OF 50 5/8" OF OVERALL WIDTH, THIS DOES NOT ALLOW FOR FULL ENCLOSURE OF THE BOLTS AND NUTS USED TO SECURE THE BARS AND SEAT IN PLACE. THE BOLT AND NUT COMBINATION SHOULD NOT PROTRUDE MORE THAN 3/4" ON EITHER SIDE OF THE SHOWER WALLS. THIS MAY REQUIRE THE NEED TO NOTCH STUDS TO ALLOW BOLT CLEARANCE FOR A DRYWALL ENCLOSED FIRE WALL INSTALLATION. ADJUSTMENT OF THE WALL BOARD MAY BE NECESSARY TO PROVIDE CLEARANCE OF THE BOLT(S) WHILE MAINTAINING THE INTEGRITY OF THE DRYWALL ENCLOSED FIRE WALL ENCLOSURE.

Job Name	Approved By Print Name	Date	<b>COMFORT DESIGNS</b>	
Project No	Approved By Signature		Model No. SST 5038 SH 4.0	
Comfort Designs 435 Industrial Road Savannah, TN 38372 tel 800.443.7269 fax 731.925.4290 www.comfortdesignsbathware.com	Architect		Drawing No. SST 5038 SH 4.0 ANSI-B CR	
	Engineer		Date Issued, 4-10-14	Drawing Rev. 9-25-18
	Rep		Material, Solid Surface	
	Wholesaler		Color,	
	Comments			Dimensions are in inches. Due to the nature of the materials dimensions may vary ± 1/2"

## BACKING PLACEMENT

Shower model SST 5038 SH 4.0 ANSI-B



Job Name	Approved By Print Name	Date	COMFORT DESIGNS	
Project No	Approved By Signature		Model No. SST 5038 SH 4.0	
Comfort Designs 435 Industrial Road Savannah, TN 38372 tel 800.443.7269 fax 731.925.4290 www.comfortdesignsbathware.com	Architect		Drawing No. SST 5038 SH 4.0 ANSI-B CR-BP	
	Engineer		Date Issued. 4-10-14	Drawing Rev. 9-25-18
	Rep		Material. Solid Surface	
	Wholesaler		Color.	
	Comments			Dimensions are in inches. Due to the nature of the materials dimensions may vary $\pm 1/2"$