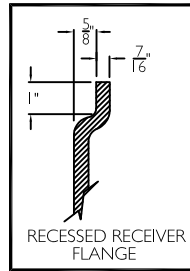
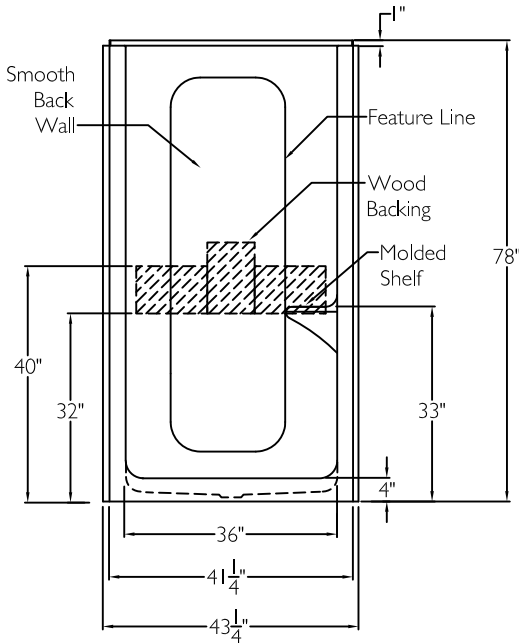
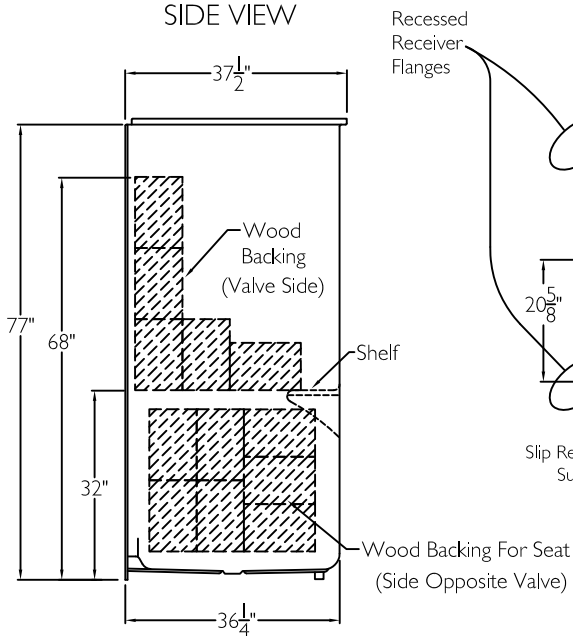


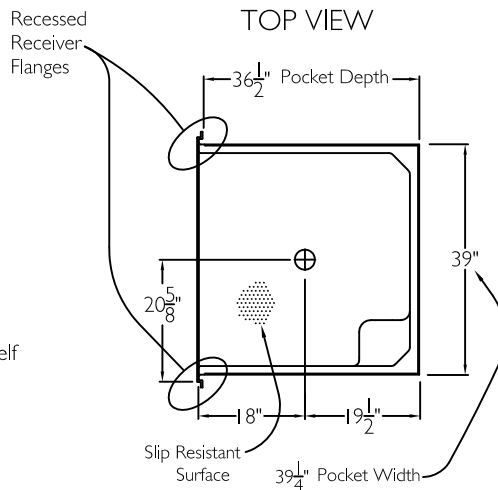
FRONT VIEW



SIDE VIEW



TOP VIEW



SUBMITTAL

This shower enclosure shall be model XSA 4136 SH OT 4.0 center, right, or left. Finished surface shall be of a sanitary grade acrylic exhibiting a minimal thickness of 15 dry mils and a finished cured Barcoal hardness of 80-90 as tested with ASTM D-2583. Unit construction shall be of a molded reinforced fiberglass with a 15% minimum fiberglass content.

The unit shall have outside dimensions of 41 1/4" x 37 1/2" x 78". The unit shall meet ANSI Z124.1-2, HUD, CSA B45.5, BOCA, UPC, ANSI Type B, Home Innovation Research Lab, and shall meet the requirements of the Southern Building Code.

HANDED BY THE VALVE.

The enclosure shall be equipped with the following accessories:

- 1) Wood backing on back wall for future installation of grab bar,
- 2) Wood backing on valve wall for future installation of grab bars,
- 3) Wood backing on side opposite the valve for fold up seat, (Future Grab Bars and Seat By Others),
- 4) Smooth backwall with no diamond pattern,
- 5) Molded shelf on valve side wall,
- 6) Molded recessed drywall receiver flange on both sides,
- 7) Tri-Cell backing,
- 8) 4" Threshold.

OPTIONAL ACCESSORIES:

- Factory Plumbing Install Option: YES NO
- Plumbing location: Right wall Left wall
- PB Pressure Balancing Mixing Valve
- HH Hand held shower assembly with slide bar, vacuum breaker and 60" hose.

THIS UNIT FEATURES THE OUTSIDE DIMENSION OF 43 1/4" OF OVERALL WIDTH, THIS DOES NOT ALLOW FOR FULL ENCLOSURE OF THE BOLTS AND NUTS USED TO SECURE THE BARS AND SEAT IN PLACE. THE BOLT AND NUT COMBINATION SHOULD NOT PROTRUDE MORE THAN 3/4" ON EITHER SIDE OF THE SHOWER WALLS. THIS MAY REQUIRE THE NEED TO NOTCH STUDS TO ALLOW BOLT CLEARANCE FOR A DRYWALL ENCLOSED FIRE WALL INSTALLATION. ADJUSTMENT OF THE WALL BOARD MAY BE NECESSARY TO PROVIDE CLEARANCE OF THE BOLT(S) WHILE MAINTAINING THE INTEGRITY OF THE DRYWALL ENCLOSED FIRE WALL ENCLOSURE.

NOTE: THIS UNIT WILL NOT ACCEPT A DOOR.

Job Name	Approved By Print Name	Date	COMFORT DESIGNS	
Project No	Approved By Signature		Model No. XSA 4136 SH OT 4.0 RF ANSI Type B Shower	
Comfort Designs 435 Industrial Road Savannah, TN 38372 tel 800.443.7269 fax 731.925.4290 www.comfortdesignsbathware.com	Architect		Drawing No. XSA 4136 SH OT 4.0 FBP RF Tri-Cell ANSI Type B	
	Engineer		Date Issued. 4-3-12	Drawing Rev. 6-1-16
	Rep		Material. Acrylic	
	Wholesaler		Color:	
	Comments			Dimensions are in inches. Due to the nature of the materials dimensions may vary ± 1/2"