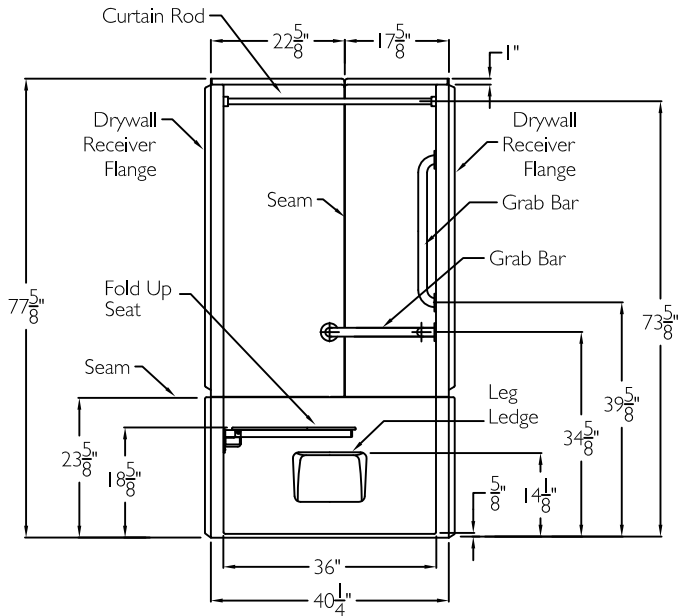
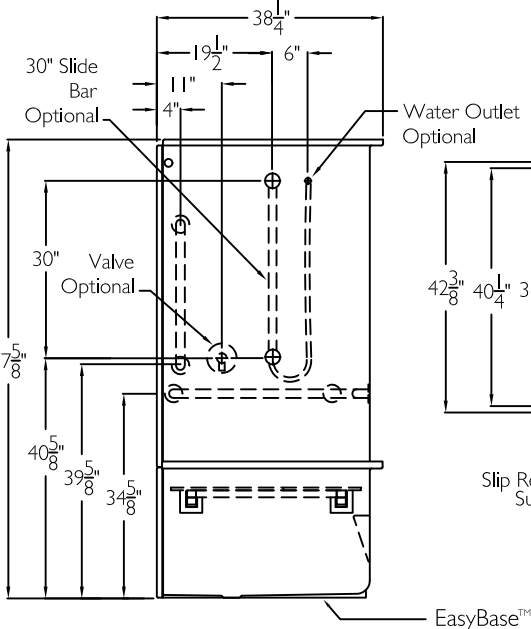


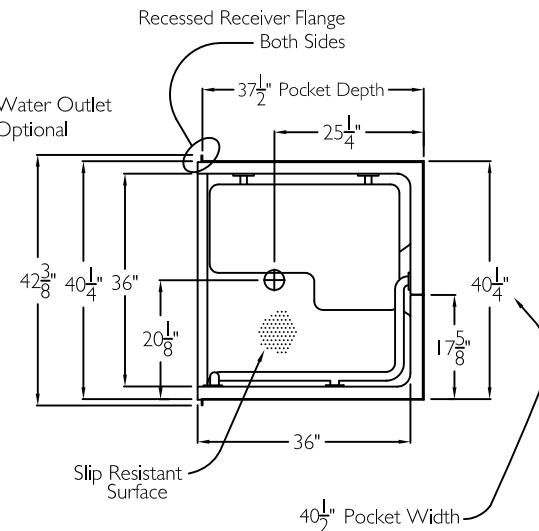
## FRONT VIEW



## SIDE VIEW



## TOP VIEW



## SUBMITTAL

This shower enclosure shall be model SSS 3637 BF 3P RRF .625, right. Finished surface shall be of a sanitary grade solid surface exhibiting a minimal thickness of 55 dry mils and a finished cured Barcoal hardness of 80-90 as tested with ASTM D-2583. Unit construction shall be of a molded reinforced fiberglass with a 15% minimum fiberglass content.

The unit shall have outside dimensions of 40 1/4" x 38 1/4" x 77 5/8". The unit shall meet CSA B45.5-11, HUD, BOCA, ADA, Home Innovation Research Lab, ANSI 11.71, IAPMOZ124-2011, and shall meet the requirements of the Southern Building Code.

## HANDED BY THE VALVE

The enclosure shall be equipped with the following accessories:

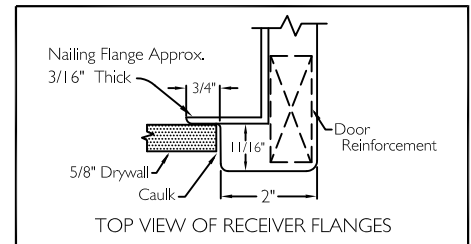
- 1) One 18" x 33" x 1 1/2" diameter 18 gauge stainless steel L-Grab Bar,
- 2) One 24" x 1 1/2" diameter 18 gauge stainless steel vertical grab bar, all with 1 1/2" statute clearance, secured from the rear with stainless steel bolts, and 3" x 3" x 11 gauge metal mounting plates,
- 3) 32" x 21" Frameless wood grain phenolic fold up seat,
- 4) One inch diameter stainless steel curtain rod with receiver cups,
- 5) Molded ledge on the back wall,
- 6) 3-piece sectional design,
- 7) Drywall receiver flange on both sides,
- 8) Factory installed Easy Base self sustaining bottom,
- 9) 5/8" threshold.

### OPTIONAL ACCESSORIES:

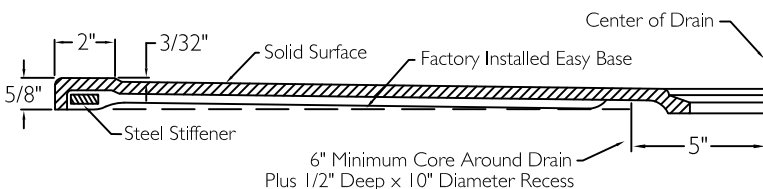
Factory Plumbing Install Option:  YES  NO

PB Pressure Balancing Mixing Valve (ADA / ANSI)

HH Hand held shower assembly with slide bar, vacuum breaker and 60' hose (ADA / ANSI)



## CROSS SECTION OF THRESHOLD



THIS UNIT FEATURES THE OUTSIDE DIMENSION OF 40 1/4" OF OVERALL WIDTH. THIS DOES NOT ALLOW FOR FULL ENCLOSURE OF THE BOLTS AND NUTS USED TO SECURE THE BARS AND SEAT IN PLACE. THE BOLT AND NUT COMBINATION SHOULD NOT PROTRUDE MORE THAN 3/4" ON EITHER SIDE OF THE SHOWER WALLS. THIS MAY REQUIRE THE NEED TO NOTCH STUDS TO ALLOW BOLT CLEARANCE FOR A DRYWALL ENCLOSED FIRE WALL INSTALLATION. ADJUSTMENT OF THE WALL BOARD MAY BE NECESSARY TO PROVIDE CLEARANCE OF THE BOLT(S) WHILE MAINTAINING THE INTEGRITY OF THE DRYWALL ENCLOSED FIRE WALL ENCLOSURE.

NOTE: THIS UNIT WILL NOT ACCEPT A DOOR.

Job Name	Approved By Print Name	Date	COMFORT DESIGNS	
Project No	Approved By Signature		Model No. SSS 3637 BF 3P RRF .625	
Comfort Designs 435 Industrial Road Savannah, TN 38372 tel 800.443.7269 fax 731.925.4290 www.comfortdesignsbathware.com	Architect		Drawing No. SSS 3637 BF 3P RRF .625 SLB VB WGPH CR RRF Easy Base	
	Engineer		Date Issued. 4-3-12	Drawing Rev. 11-11-14
	Rep		Material. Solid Surface	
	Wholesaler		Color,	
	Comments		Dimensions are in inches. Due to the nature of the materials dimensions may vary ± 1/2"	