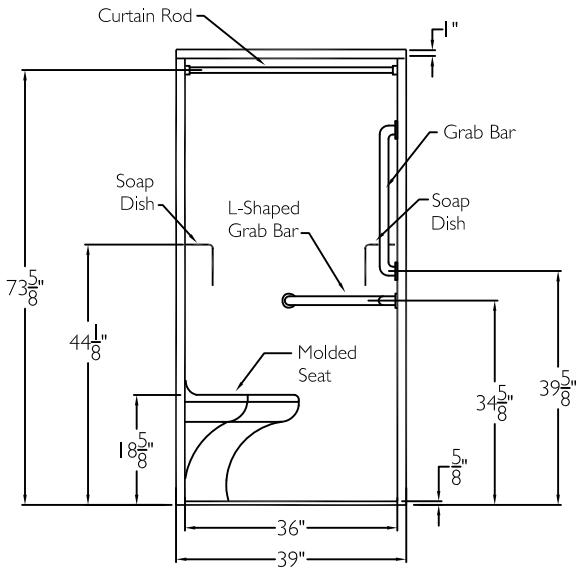
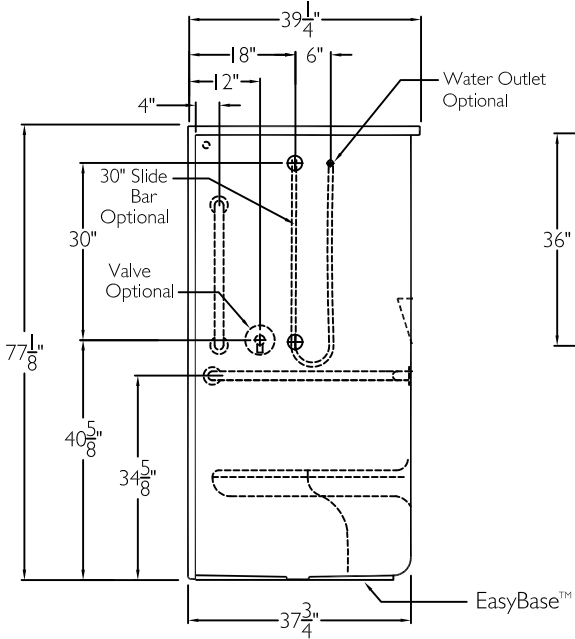


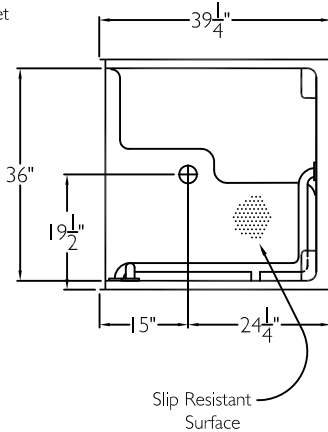
**FRONT VIEW**



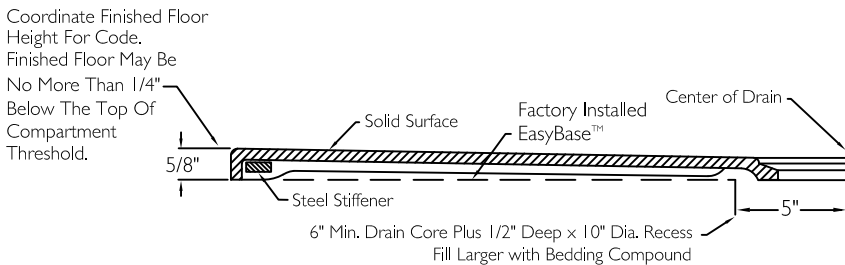
**SIDE VIEW**



**TOP VIEW**



**CROSS SECTION OF THRESHOLD**



**SUBMITTAL**

This shower enclosure shall be model SSS 3600 BF .625 right, or left. Finished surface shall be of a sanitary grade solid surface exhibiting a minimal thickness of 55 dry mils and a finished cured Barcoal hardness of 80-90 as tested with ASTM D-2583. Unit construction shall be of a molded reinforced fiberglass with a 15% minimum fiberglass content.

The unit shall have outside dimensions of 39" x 39 1/4" x 77 1/8".

The unit shall meet ANSI Z124.1-2, HUD, Home Innovation Research Lab, BOCA, UPC, and shall meet the requirements of the Southern Building Code.

NOTE: UNIT DOES NOT COMPLY WITH ADA OR ANSI A117.1 GUIDELINES.

The enclosure shall be equipped with the following accessories:

- 1) One 18" x 33 1/2 x 1 1/2" diameter 18 gauge stainless steel L-grab bar,
- 2) One 24" x 1 1/2" 18 gauge stainless steel grab bar vertical on the valve wall, both with 1 1/2" statute clearance, secured from the rear with stainless steel bolts and 3" x 3" x 11 gauge metal mounting plates,
- 3) Large molded seat,
- 4) Molded corner soap ledges,
- 5) One inch diameter, 18 gauge stainless steel curtain rod with receiver cups,
- 6) Tri cell backing,
- 7) EasyBase™ self sustaining bottom,
- 8) 5/8" threshold.

**OPTIONAL ACCESSORIES:**

- Factory Plumbing Install Option:  YES  NO
- PB Pressure Balancing Mixing Valve (ADA / ANSI)
- HH Hand held shower assembly with slide bar, vacuum breaker and 60" hose (ADA / ANSI)

THIS UNIT FEATURES THE OUTSIDE DIMENSION OF 39" OF OVERALL WIDTH. THIS DOES NOT ALLOW FOR FULL ENCLOSURE OF THE BOLTS AND NUTS USED TO SECURE THE BARS AND SEAT IN PLACE. THE BOLT AND NUT COMBINATION SHOULD NOT PROTRUDE MORE THAN 3/4" ON EITHER SIDE OF THE SHOWER WALLS, THIS MAY REQUIRE THE NEED TO NOTCH STUDS TO ALLOW BOLT CLEARANCE FOR A DRYWALL ENCLOSED FIRE WALL INSTALLATION. ADJUSTMENT OF THE WALL BOARD MAY BE NECESSARY TO PROVIDE CLEARANCE OF THE BOLT(S) WHILE MAINTAINING THE INTEGRITY OF THE DRYWALL ENCLOSED FIRE WALL ENCLOSURE.

NOTE: THIS UNIT WILL NOT ACCEPT A DOOR.

|   |                        |      |  |   |
|---|------------------------|------|--|---|
| Job Name  | Approved By Print Name | Date | <b>COMFORT DESIGNS</b>                           |   |
| Project No  | Approved By Signature  |      | Model No. SSS 3600 BF .625-1                     |   |
| Comfort Designs<br>435 Industrial Road<br>Savannah, TN 38372<br>tel 800.443.7269<br>fax 731.925.4290<br>www.comfordesignsbathware.com | Architect              |      | Drawing No. SSS 3600 BF .625 SLB VSW MS CR VP EB |   |
|   | Engineer               |      | Date Issued. 3-29-12                             | Drawing Rev. 9-5-14   |
|   | Rep                    |      | Material. Solid Surface                          |   |
|   | Wholesaler             |      | Color.   |   |
|   | Comments               |      |  | Dimensions are in inches. Due to the nature of the materials dimensions may vary ± 1/2" |