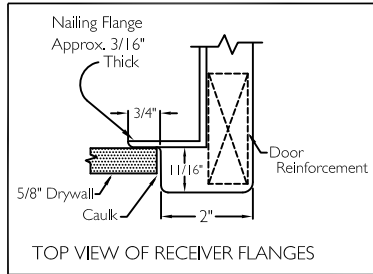
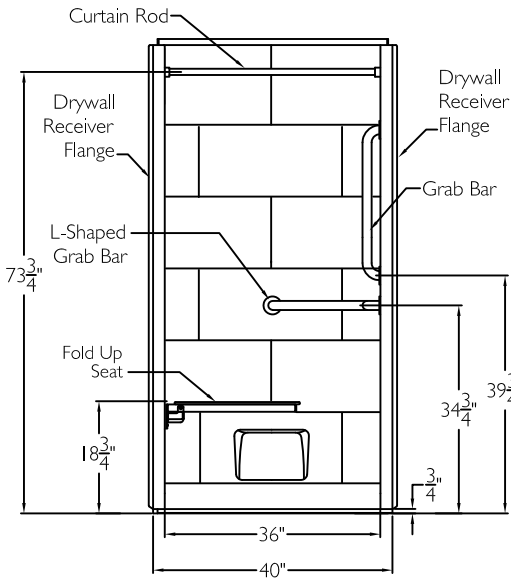


FRONT VIEW



SUBMITTAL

This shower enclosure shall be model SST 3838 TR RRF .75 center, right, or left. Finished surface shall be of a sanitary grade solid surface exhibiting a minimal thickness of 55 dry mills and a finished cured Barcoal hardness of 80-90 as tested with ASTM D-2583. Unit construction shall be of a molded reinforced fiberglass with a 15% minimum fiberglass content.

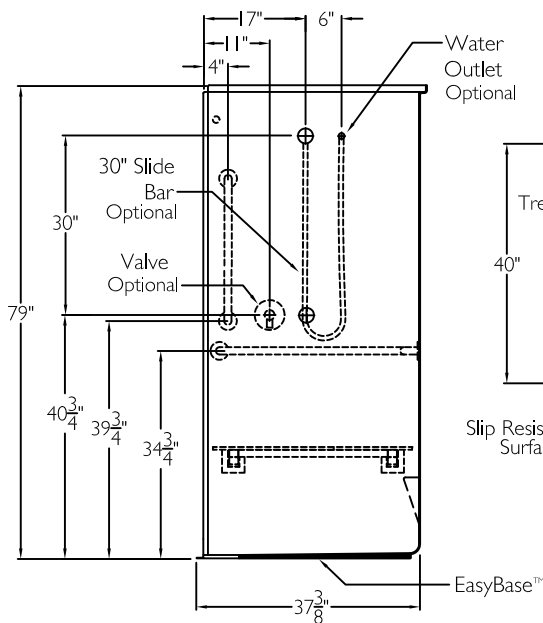
HANDED BY THE VALVE.

The unit shall have outside dimensions of 38 1/2" x 37 3/16" x 79" with a 3/4" threshold. The base shall be attached to the sump in such a manner to form an integral part with an inner and outer coating of reinforced polyester resin. The unit shall meet UPC ANSI Z124.1-2, Home Innovation Research Lab, ADA, CSA B45.5, ANSI A117.1, and shall meet the requirements of the Southern Building Code.

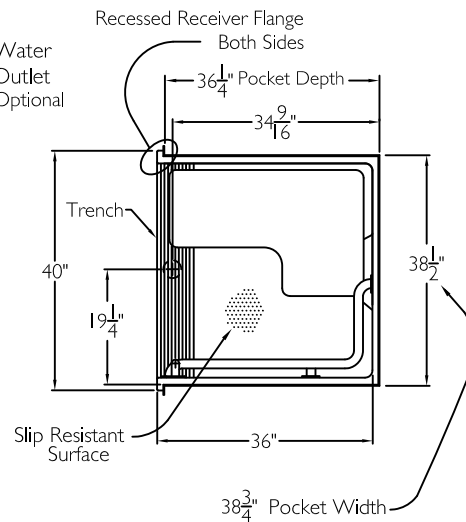
The enclosure shall be equipped with the following accessories:

- 1) One 18" x 33 1/2" X 1 1/2" diameter stainless steel horizontal L-grab bar,
- 2) One 24" x 1 1/2" diameter stainless steel grab bar vertical on the valve wall, both with 1 1/2" statute clearance secured from the rear with stainless steel bolts, and 3" x 3" x 11 gauge metal mounting plates,
- 3) Frameless 32" x 21" wood grain phenolic fold up seat,
- 4) Subway Tile pattern,
- 5) Molded leg ledge,
- 6) Molded drywall receiver flange on both sides,
- 7) Solid Surface finish,
- 8) One inch diameter stainless steel curtain rod with receiver cups,
- 9) Integral front trench drain,
- 10) EasyBase™ self sustaining bottom,
- 11) 3/4" threshold.

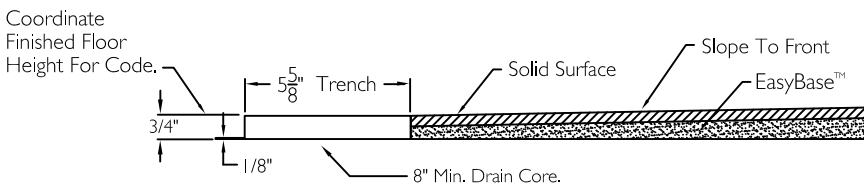
SIDE VIEW



TOP VIEW



CROSS SECTION OF THRESHOLD



OPTIONAL ACCESSORIES:

Factory Plumbing Install Option: YES NO

PB Pressure Balancing Mixing Valve (ADA / ANSI)

HH Hand held shower assembly with slide bar, vacuum breaker and 60" hose (ADA / ANSI)

THIS UNIT FEATURES THE OUTSIDE DIMENSION OF 38 1/2" OF OVERALL WIDTH. THIS DOES NOT ALLOW FOR FULL ENCLOSURE OF THE BOLTS AND NUTS USED TO SECURE THE BARS AND SEAT IN PLACE. THE BOLT AND NUT COMBINATION SHOULD NOT PROTRUDE MORE THAN 3/4" ON EITHER SIDE OF THE SHOWER WALLS. THIS MAY REQUIRE THE NEED TO NOTCH STUDS TO ALLOW BOLT CLEARANCE FOR A DRYWALL ENCLOSED FIRE WALL INSTALLATION. ADJUSTMENT OF THE WALL BOARD MAY BE NECESSARY TO PROVIDE CLEARANCE OF THE BOLT(S) WHILE MAINTAINING THE INTEGRITY OF THE DRYWALL ENCLOSED FIRE WALL ENCLOSURE.

NOTE: THIS UNIT WILL NOT ACCEPT A DOOR.

Job Name	Approved By Print Name	Date	COMFORT DESIGNS	
Project No	Approved By Signature		Model No. SST 3838 TR RRF .75 L-Bar-I	
Comfort Designs 435 Industrial Road Savannah, TN 38372 tel 800.443.7269 fax 731.925.4290 www.comfortdesignsbathware.com	Architect		Drawing No. SST 3838 TR RRF .75 SLB VB WGPH CR RRF VP Easy Base	
	Engineer		Date Issued. 8-8-12	Drawing Rev. 11-10-14
	Rep		Material. Solid Surface	
	Wholesaler		Color.	
	Comments		Dimensions are in inches. Due to the nature of the materials dimensions may vary ± 1/2"	