

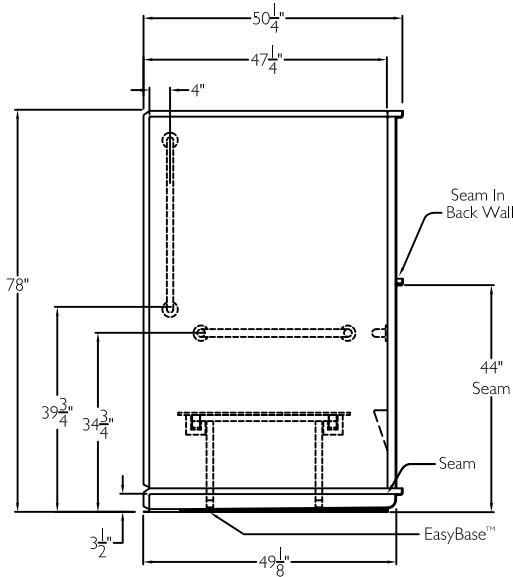
SUBMITTAL

This shower enclosure shall be model XST 5038TR.75 5P left or right. Finished surface shall be of a sanitary grade applied acrylic. The base shall be attached to the sump in such manner to form an integral part with an inner and outer coating of polyester resin. Unit construction shall be of a molded reinforced fiberglass with a 15% minimum fiberglass content.

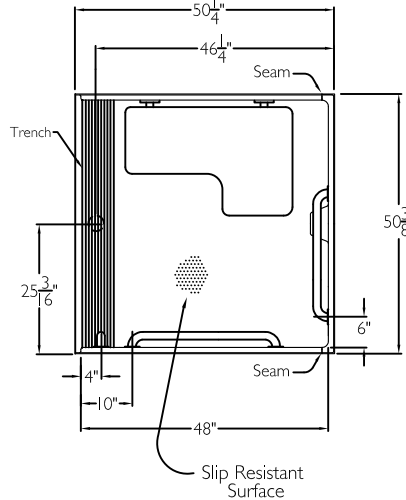
The unit shall have outside dimensions of 50 3/8" x 50 1/4" x 78". The unit shall meet CSA B45.5-11, HUD-UM73, and Home Innovation Research Lab.

HANDED BY THE VALVE

SIDE VIEW



TOP VIEW

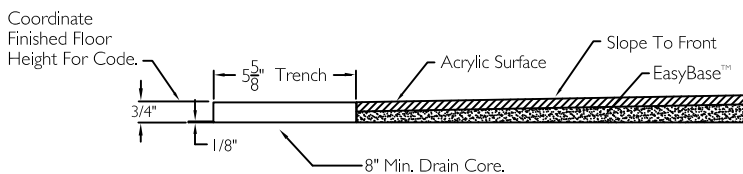


The enclosure shall be equipped with the following accessories:

- 1) One 24" x 1 1/4" diameter 18 gauge white grab bar horizontal on the back wall,
- 2) One 28" x 1 1/4" diameter white grab bar horizontal on the side wall, both with 1 1/2" statute clearance, secured from the rear with stainless steel bolts, and 3" x 3" x 11 gauge metal mounting plate,
- 3) 32" x 21" frameless white HDPE fold up seat,
- 4) One inch diameter white curtain rod with receiver cups,
- 5) Molded ledge low on the back wall,
- 6) Subway tile pattern,
- 7) Five piece sectional design,
- 8) Tri-Cell backing,
- 9) Integral front trench drain,
- 10) Factory installed Easy Base self sustaining bottom,
- 11) 3/4" threshold.

NOTE: Grab bars, seat, and curtain rod shipped loose, to be field installed by others.

CROSS SECTION OF THRESHOLD



THIS UNIT FEATURES THE OUTSIDE DIMENSION OF 50 5/8" OF OVERALL WIDTH. THIS DOES NOT ALLOW FOR FULL ENCLOSURE OF THE BOLTS AND NUTS USED TO SECURE THE BARS AND SEAT IN PLACE. THE BOLT AND NUT COMBINATION SHOULD NOT PROTRUDE MORE THAN 3/4" ON EITHER SIDE OF THE SHOWER WALLS. THIS MAY REQUIRE THE NEED TO NOTCH STUDS TO ALLOW BOLT CLEARANCE FOR A DRYWALL ENCLOSED FIRE WALL INSTALLATION. ADJUSTMENT OF THE WALL BOARD MAY BE NECESSARY TO PROVIDE CLEARANCE OF THE BOLT(S) WHILE MAINTAINING THE INTEGRITY OF THE DRYWALL ENCLOSED FIRE WALL ENCLOSURE.

| | | | | |
|--|------------------------|------|---|----------------------|
| Job Name | Approved By Print Name | Date | COMFORT DESIGNS | |
| Project No | Approved By Signature | | Model No. XST 5050 TR 5P .75 L-Bar-I | |
| Comfort Designs 435 Industrial Road Savannah, TN 38372 tel 800.443.7269 fax 731.925.4290 www.comfortdesignsbathware.com | Architect | | Drawing No. XST 5050 TR 5P .75 WHBW WHSW WWSW Bariatric HDPE WCRC EB | |
| | Engineer | | Date Issued. 6-7-12 | Drawing Rev. 12-7-16 |
| | Rep | | Material. Acrylic Surface | |
| | Wholesaler | | Color. | |
| | Comments | | Dimensions are in inches. Due to the nature of the materials dimensions may vary ± 1/2" | |