

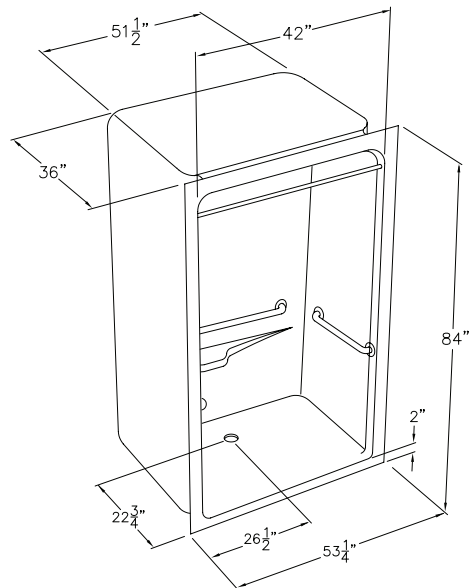
# CD Technical Data Sheet

## COMMERCIAL ACCESSIBLE

### 5336BF

OD 53.25" x 36" x 84"

COMFORT PACKAGE 5336BF-1 shown in drawing



## STANDARD FEATURES

Barrier-free threshold  
Acrylic finish- 5 year limited warranty  
GripSure textured floor

## NOTICE OF LIMITATION

Unit must be properly leveled to insure maximum drainage

## FINISH COLOR SELECTION (Check One)



ACRYLIC: WT-white, BN-bone, BS-biscuit

ACCESSIBLE  
Enhancing Livable Design

## ACCESSIBLE PACKAGES (Check One)

Includes standard features plus Tri-Cell honeycomb wall construction and all accessories detailed below.

### ACRYLIC COMFORT PACKAGE

XSA5336BF-1

white U-bar configuration, stainless steel curtain rod

## BUILD TO ORDER BASE MODELS (Check One)

Standard features only. All additional options must be selected from modify package options list.

### ACRYLIC BASE MODEL

XSA5336BF

## MODIFY PACKAGE OPTIONS

After selecting base model or prepackaged model, select modify package options to add or change options. Add nomenclature in bold to prepackaged model number. Example: MODEL#-1-PB for pressure balancing mixing valve option.

- |                                                       |                                                                               |                                                                                                                     |
|-------------------------------------------------------|-------------------------------------------------------------------------------|---------------------------------------------------------------------------------------------------------------------|
| <b>WALL REINFORCEMENT</b>                             | <input type="checkbox"/> <b>TC</b> Tri-Cell honeycomb                         | <input type="checkbox"/> <b>FWB</b> Full wood backing                                                               |
|                                                       | <input type="checkbox"/> <b>FBP</b> Future placement for bars/seats           |                                                                                                                     |
| <b>U-BAR CONFIGURATION</b>                            | <input type="checkbox"/> <b>UW</b> ComfortCare™ 1.25 white                    | <input type="checkbox"/> <b>CUS</b> ComfortCare™ 1.25 stainless                                                     |
| <b>L-BAR CONFIGURATION</b>                            | <input type="checkbox"/> <b>LW</b> ComfortCare™ 1.25 white                    | <input type="checkbox"/> <b>CLS</b> ComfortCare™ 1.25 stainless                                                     |
| <b>L SHAPED FOLD-UP SEAT</b>                          | <input type="checkbox"/> <b>PD</b> Padded white                               | <input type="checkbox"/> <b>HD</b> HDPE white                                                                       |
| <b>VERTICAL GRAB BAR</b>                              | <input type="checkbox"/> <b>VW</b> ComfortCare™ 24" white                     | <input type="checkbox"/> <b>CVS</b> ComfortCare™ 24" steel                                                          |
| <b>CURTAIN ROD</b>                                    | <input type="checkbox"/> <b>CRW</b> Curtain rod/cups white                    | <input type="checkbox"/> <b>CRS</b> Curtain rod/cups stainless steel                                                |
| <b>CURTAIN</b>                                        | <input type="checkbox"/> <b>CPW</b> Polyester weighted white                  | <input type="checkbox"/> <b>CVW</b> Vinyl weighted white                                                            |
| <b>VALVE &amp; SHOWER ASSEMBLY</b>                    | <input type="checkbox"/> <b>PB</b> Pressure balancing mixing valve (ADA/ANSI) | <input type="checkbox"/> <b>HH</b> Hand held shower assembly with slide bar, vacuum breaker and 60" hose (ADA/ANSI) |
| <b>WATER DAM</b>                                      | <input type="checkbox"/> <b>CD</b> Collapsible dam w/white                    | <input type="checkbox"/> <b>SEMI</b> Semi-permanent dam                                                             |
| <b>THRESHOLD</b>                                      | <input type="checkbox"/> <b>BF75</b> 3/4" barrier free                        | <input type="checkbox"/> <b>BF2</b> 2" barrier free                                                                 |
| <b>DRAIN</b>                                          | <input type="checkbox"/> <b>DR</b> Drain no caulk brass                       |                                                                                                                     |
| <b>P3</b>                                             | <input type="checkbox"/> <b>P3</b> P3 Armorshield                             |                                                                                                                     |
| <small>*not available on solid surface models</small> |                                                                               |                                                                                                                     |
| <b>TRIM</b>                                           | <input type="checkbox"/> <b>TK</b> Trim Kit                                   |                                                                                                                     |
| <b>DOME LIGHT</b>                                     | <input type="checkbox"/> <b>DL144</b> 144V Dome Light                         | <input type="checkbox"/> <b>DL277</b> 277V Dome Light                                                               |

cd  
comfortdesigns

comfortdesignsbathware.com | 800.443.7269