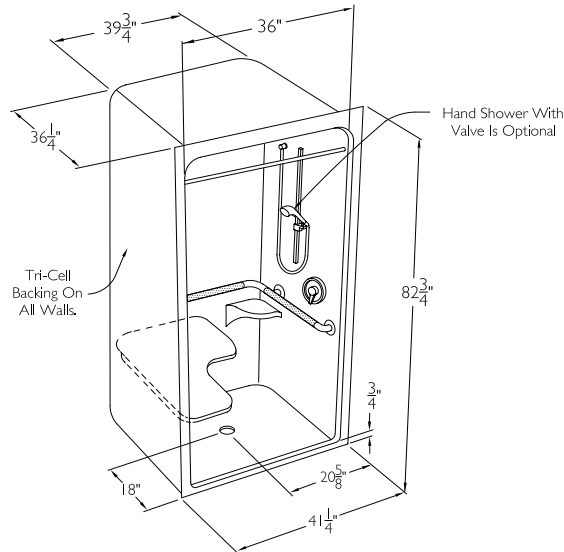


# CD Product Sheet

## COMMERCIAL CODE COMPLIANT

### 4136BF MAS

OD 41.25" x 36.25" x 82.875" ID 36" x 36" center point  
COMFORT PACKAGE 4136BF-1 shown in drawing



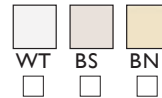
#### STANDARD FEATURES

Barrier free design with steel reinforcement  
Acrylic finish- 5 year limited warranty  
GripSure textured floor

#### NOTICE OF LIMITATION

Recess as needed to meet code  
Adhere to floor as required  
NOTE: For MAS compliance, selection for peened bar, padded seat and pressure balancing mixing valve, hand-held shower with slide bar, vacuum breaker and 60" hose must be selected and installed per MAS guidelines.

#### FINISH COLOR SELECTION (Check One)



ACRYLIC: WT-white, BN-bone, BS-biscuit

MAS COMPLIANT  
Enhancing Livable Design

#### MAS COMPLIANT PACKAGES (Check One)

Includes standard features plus Tri-Cell honeycomb wall construction, Pre-leveled EasyBase™, peened bar configuration, padded seat, curtain rod installed per MAS. \*NOTE: Plumbing is not included in comfort package. To add plumbing use modify package options below and select valve and shower assembly.

##### ACRYLIC COMFORT PACKAGE

XSA4136BF-1

white L-bar configuration, white padded L-seat, white curtain rod, 7/8" threshold

#### BUILD TO ORDER BASE MODELS (Check One)

Standard features only. All additional options must be selected from modify package options list.

##### ACRYLIC BASE MODEL

XSA4136BF

#### MODIFY PACKAGE OPTIONS

After selecting base model or prepackaged model, select modify package options to add or change options. Add nomenclature in bold to prepackaged model number. Example: MODEL#-1-PB for pressure balancing mixing valve option.

- |   |  |  |
|---|--|--|
| <b>WALL REINFORCEMENT</b>                             | <input type="checkbox"/> TC Tri-Cell honeycomb                         | <input type="checkbox"/> FWB Full wood backing   |
|   | <input type="checkbox"/> FBP Future placement for bars/seats           |  |
| <b>L-BAR CONFIGURATION</b>                            | <input type="checkbox"/> LW ComfortCare™ 1.25 txt white                | <input type="checkbox"/> CLS ComfortCare™ 1.25 stainless   |
| <b>VERTICAL GRAB BAR</b>                              | <input type="checkbox"/> VW ComfortCare™ 24" white                     | <input type="checkbox"/> CVS ComfortCare™ 24" steel  |
| <b>L SHAPED FOLD-UP SEAT</b>                          | <input type="checkbox"/> PD Padded white                               |  |
| <b>CURTAIN ROD</b>                                    | <input type="checkbox"/> CRW Curtain rod/cups white                    | <input type="checkbox"/> CRS Curtain rod/cups stainless steel  |
| <b>CURTAIN</b>  | <input type="checkbox"/> CPW Polyester weighted white                  | <input type="checkbox"/> CVW Vinyl weighted white  |
| <b>VALVE &amp; SHOWER ASSEMBLY</b>                    | <input type="checkbox"/> PB Pressure balancing mixing valve (ADA/ANSI) | <input type="checkbox"/> HH Hand held shower assembly with slide bar, vacuum breaker and 60" hose (ADA/ANSI) |
| <b>WATER DAM</b>                                      | <input type="checkbox"/> CD Collapsible dam w/white                    |  |
| <b>BASE REINFORCEMENT</b>                             | <input type="checkbox"/> EZB Pre-leveled EasyBase™                     |  |
| <b>THRESHOLD</b>                                      | <input type="checkbox"/> BF875 7/8" barrier free                       | <input type="checkbox"/> BF2 2" barrier free   |
| <b>DRAIN</b>  | <input type="checkbox"/> DR Drain no caulk brass                       |  |
| <b>P3</b>   | <input type="checkbox"/> P3 P3 Armorshield                             |  |
| <small>*not available on solid surface models</small> |  |  |
| <b>TRIM</b>   | <input type="checkbox"/> TK Trim Kit                                   |  |
| <b>DOME LIGHT</b>                                     | <input type="checkbox"/> DL144 144 Volt Dome Light                     | <input type="checkbox"/> DL277 277 Volt Dome Light   |

**cd**  
comfortdesigns

comfortdesignsbathware.com | 800.443.7269