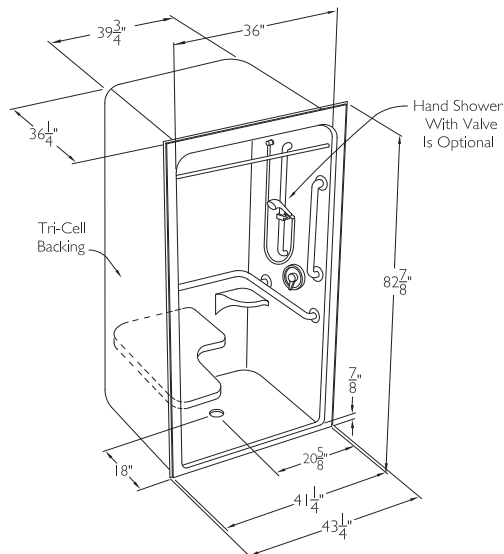


CD Product Sheet

COMMERCIAL CODE COMPLIANT

4 I 3 6 B F

OD 41.25" x 36.25" x 82.875" ID 36" x 36" center point
 COMFORT PACKAGE 4 I 3 6 B F-1 shown in drawing



STANDARD FEATURES

- Barrier free design with steel reinforcement
- Acrylic finish- 5 year limited warranty
- GripSure textured floor
- Dual Return Receiver Flange

NOTICE OF LIMITATION

Recess as needed to meet code
 Adhere to floor as required
 NOTE: For ADA/ANSI compliance, selection for L shaped bar; seat and pressure balancing mixing valve, hand-held shower with slide bar; vacuum breaker and 60" hose must be selected and installed per ADA/ANSI guidelines.

FINISH COLOR SELECTION (Check One)



ACRYLIC: WT-white, BN-bone, BS-biscuit

CODE COMPLIANT
 Enhancing Livable Design

ADA/ANSI COMPLIANT PACKAGES (Check One)

Includes standard features plus Tri-Cell honeycomb wall construction, Pre-leveled EasyBase™, L-bar configuration, L-seat, curtain rod installed per ADA/ANSI.
 *NOTE: Plumbing is not included in comfort package. To add plumbing use modify package options below and select valve and shower assembly.

ACRYLIC COMFORT PACKAGE

XSA4 I 3 6 B F-1

white L-bar configuration, white HDPE L-seat, white curtain rod, 7/8" threshold

BUILD TO ORDER BASE MODELS (Check One)

Standard features only. All additional options must be selected from modify package options list.

ACRYLIC BASE MODEL

XSA4 I 3 6 B F

MODIFY PACKAGE OPTIONS

After selecting base model or prepackaged model, select modify package options to add or change options. Add nomenclature in bold to prepackaged model number. Example: MODEL#-I-PB for pressure balancing mixing valve option.

- | | | |
|------------------------------------|---|---|
| WALL REINFORCEMENT | <input type="checkbox"/> TC Tri-Cell honeycomb | <input type="checkbox"/> FWB Full wood backing |
| | <input type="checkbox"/> FBP Future placement for bars/seats | |
| L-BAR CONFIGURATION | <input type="checkbox"/> LW ComfortCare™ 1.25 white | <input type="checkbox"/> CLS ComfortCare™ 1.25 stainless |
| VERTICAL GRAB BAR | <input type="checkbox"/> VW ComfortCare™ 24" white | <input type="checkbox"/> CVS ComfortCare™ 24" steel |
| L SHAPED FOLD-UP SEAT | <input type="checkbox"/> PD Padded white | <input type="checkbox"/> HD HDPE white |
| CURTAIN ROD | <input type="checkbox"/> CRW Curtain rod/cups white | <input type="checkbox"/> CRS Curtain rod/cups stainless steel |
| CURTAIN | <input type="checkbox"/> CPW Polyester weighted white | <input type="checkbox"/> CVW Vinyl weighted white |
| VALVE & SHOWER ASSEMBLY | <input type="checkbox"/> PB Pressure balancing mixing valve (ADA/ANSI) | <input type="checkbox"/> HH Hand held shower assembly with slide bar; vacuum breaker and 60" hose (ADA/ANSI) |
| WATER DAM | <input type="checkbox"/> CD Collapsible dam w/white | |
| BASE REINFORCEMENT | <input type="checkbox"/> EZB Pre-leveled EasyBase™ | |
| THRESHOLD | <input type="checkbox"/> BF875 7/8" barrier free | <input type="checkbox"/> BF2 2" barrier free |
| DRAIN | <input type="checkbox"/> DR Drain no caulk brass | |
| P3 | <input type="checkbox"/> P3 P3 Armorshield | |
| TRIM | <input type="checkbox"/> TK Trim Kit | |
| DOME LIGHT | <input type="checkbox"/> DL144 144 Volt Dome Light | <input type="checkbox"/> DL277 277 Volt Dome Light |

*not available on solid surface models

